

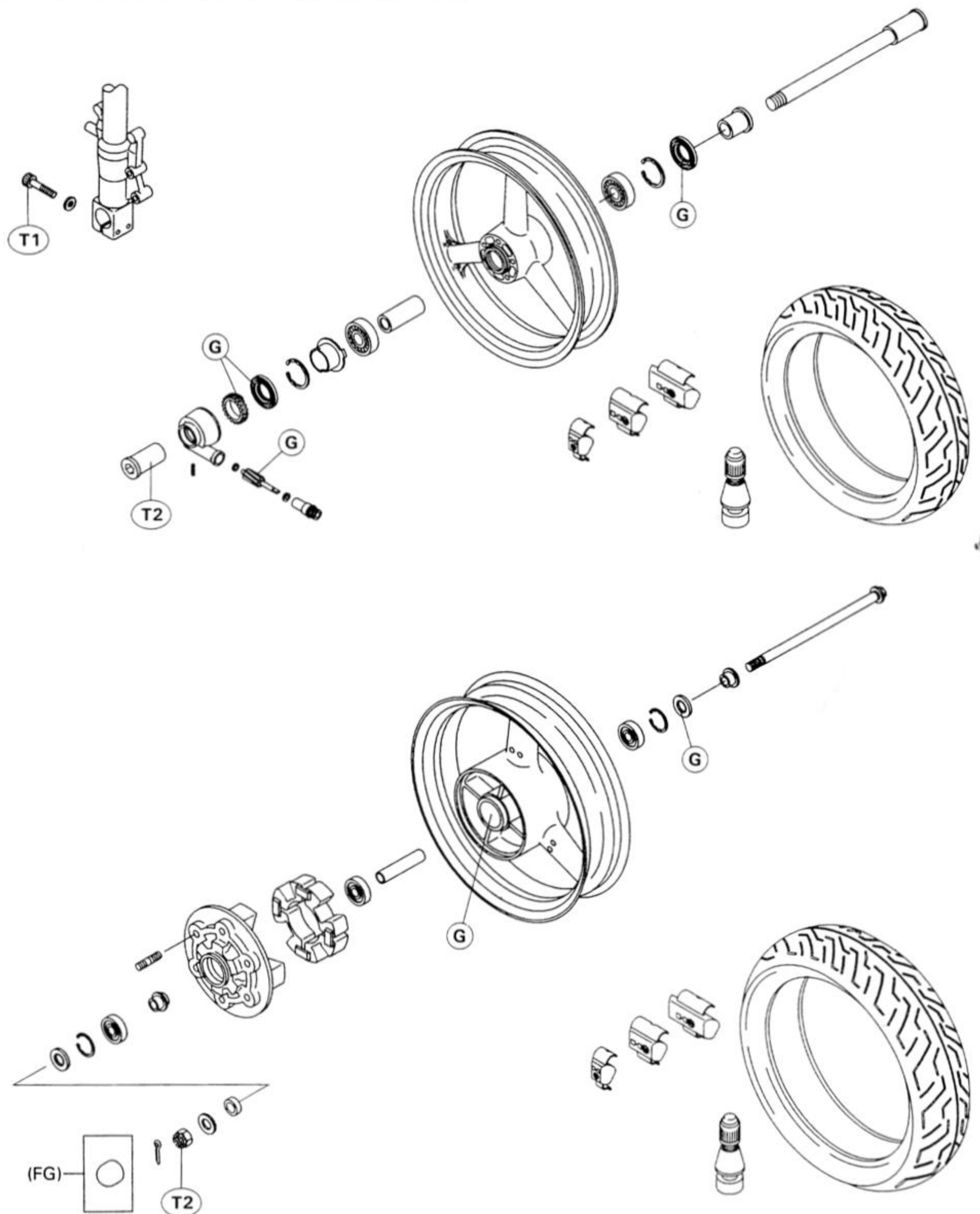
Wheels / Tires

Table of Contents

Exploded View9-2
Specifications9-3
Special Tools9-4

9-2 WHEELS / TIRES


Exploded View



T1 : 20 N-m (2.0 kg-m, 14.5 ft-lb)
T2 : 110 N-m (11 kg-m, 80 ft-lb)

G : Apply grease.
FG : German Model

Specifications

Item	Standard	Service Limit
Wheels: Rim runout: Axial Radial Axle runout/100 mm	--- --- TIR 0.05 mm or less	TIR 0.5 mm TIR 0.8 mm TIR 0.2 mm
Tires: Air pressure (when cold): Front:  Rear:	Up to 185 kg (408 lb) load: 225 kPa (2.25 kg/cm ² , 32 psi): BRIDGESTONE (CYROX-17) BRIDGESTONE (BT50F)(BT57F) METZELER PIRELLI 250 kPa (2.50 kg/cm ² , 36 psi): DUNLOP (D204 F) CONTINENTAL MICHELIN Up to 185 kg (408 lb) load: 250 kPa (2.50 kg/cm ² , 36 psi): BRIDGESTONE (CYROX-20) BRIDGESTONE (BT50R)(BT57R) METZELER PIRELLI 290 kPa (2.90 kg/cm ² , 41 psi): DUNLOP (D204) CONTINENTAL MICHELIN	. --- --- --- ---
Tread depth: Front Rear	3.4 mm 5.8 mm	1 mm 2 mm
Standard tire: Front: Rear:	Make, Type BRIDGESTONE, CYROX-17, Tubeless (FG) BRIDGESTONE, BT50F RADIAL G, Tubeless (FG) BRIDGESTONE, BT57F, Tubeless (FG) METZELER, MEZ1 Front, Tubeless (FG) PIRELLI, MTR01, Tubeless (FG) DUNLOP, D204F, Tubeless (FG) CONTINENTAL, Conti-Radial 2000F, Tubeless (FG) MICHELIN, TX15, Tubeless BRIDGESTONE, CYROX-20, Tubeless (FG) BRIDGESTONE, BT50R RADIAL G, Tubeless (FG) BRIDGESTONE, BT57R, Tubeless (FG) METZELER, MEZ1, Tubeless (FG) PIRELLI, MTR02, Tubeless (FG) DUNLOP, D204, Tubeless (FG) CONTINENTAL, Conti-Radial 2000, Tubeless (FG) MICHELIN, TX25, Tubeless	Size 120/60 VR 17 120/60 ZR17 160/60 VR 17 160/60 ZR17

(FG): German Model

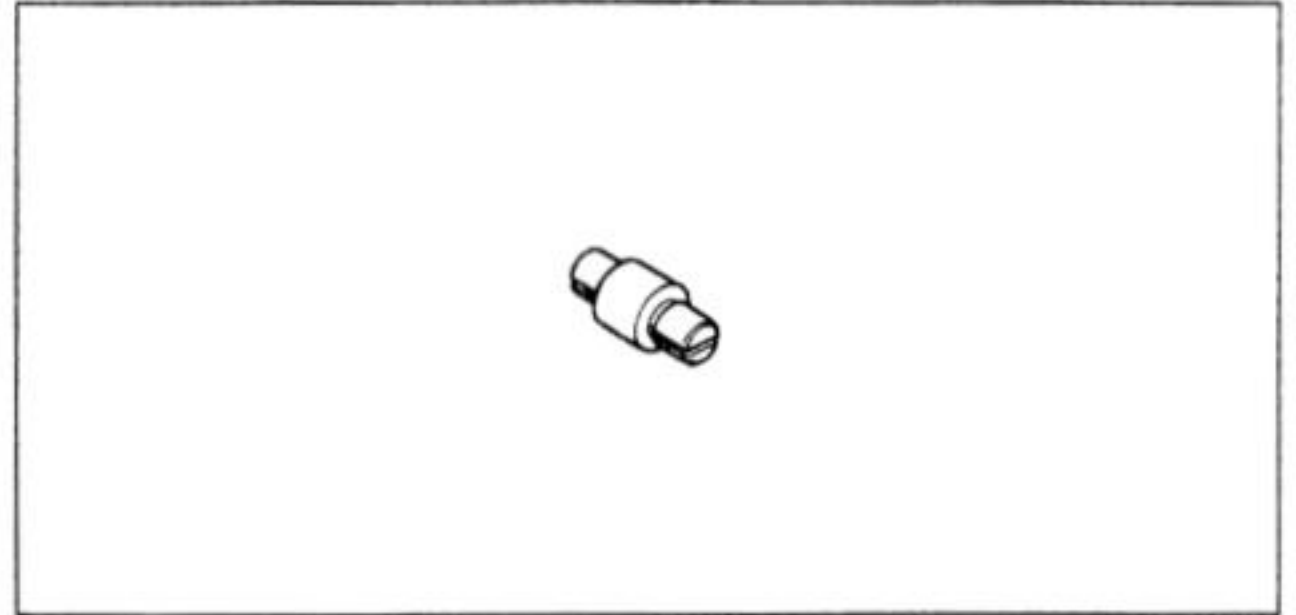
9-4 WHEELS / TIRES

Special Tools

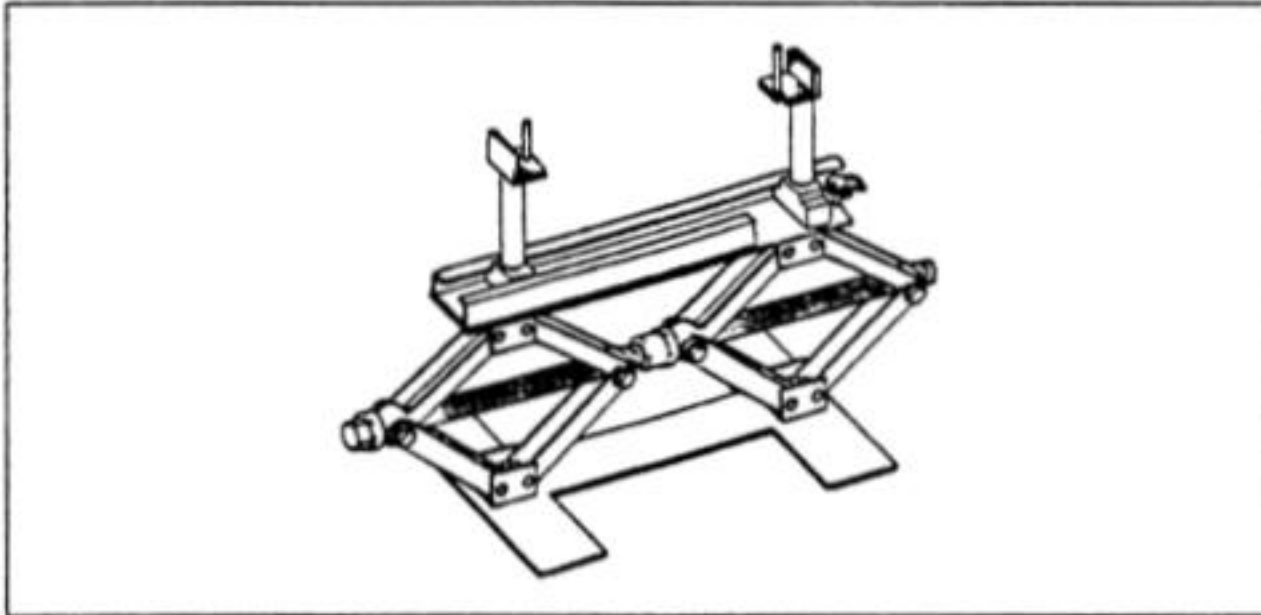
Bearing Driver Set: 57001-1129



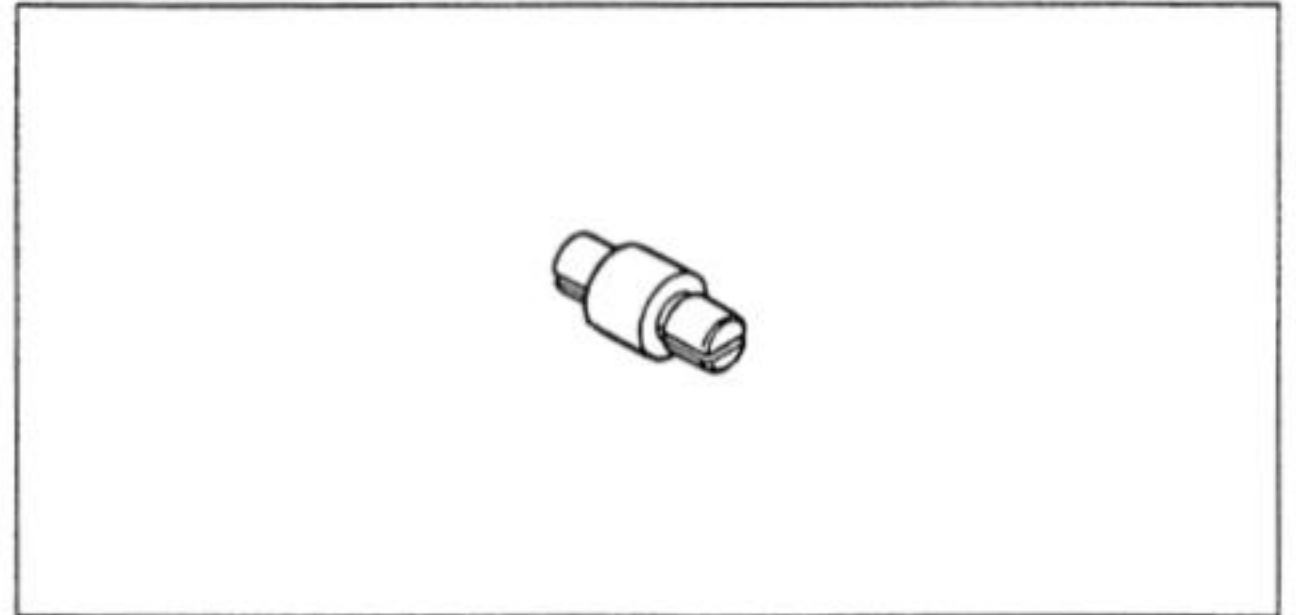
Bearing Remover Head, $\phi 15 \times \phi 17$: 57001-1267



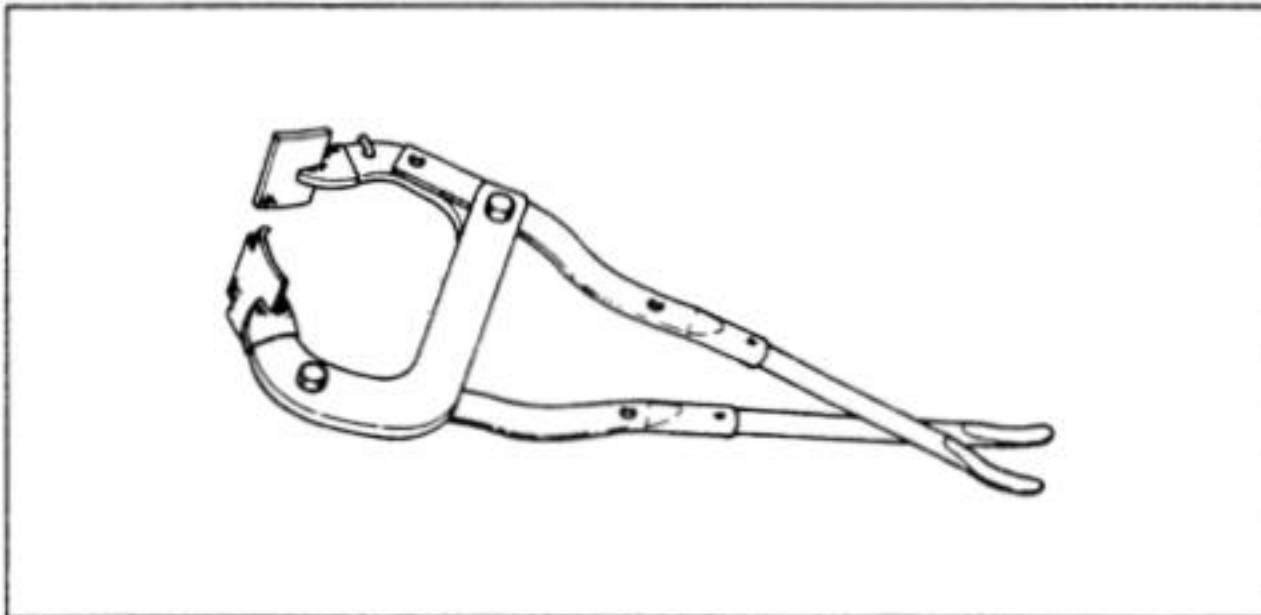
Jack: 57001-1238



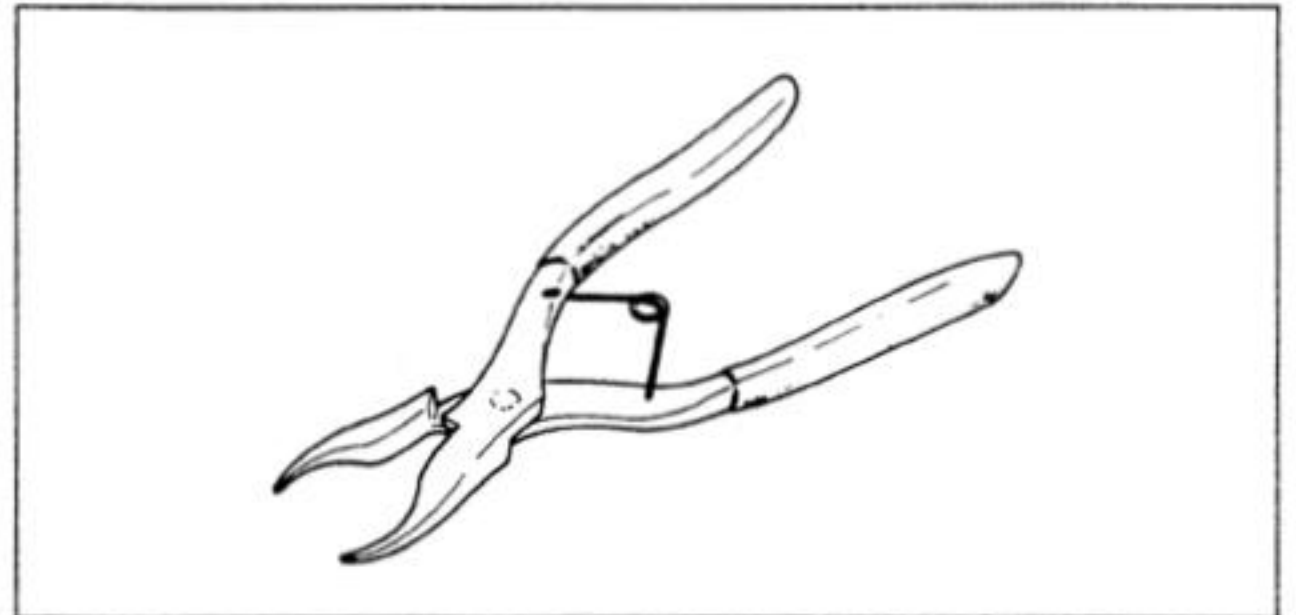
Bearing Remover Head, $\phi 20 \times \phi 22$: 57001-1293



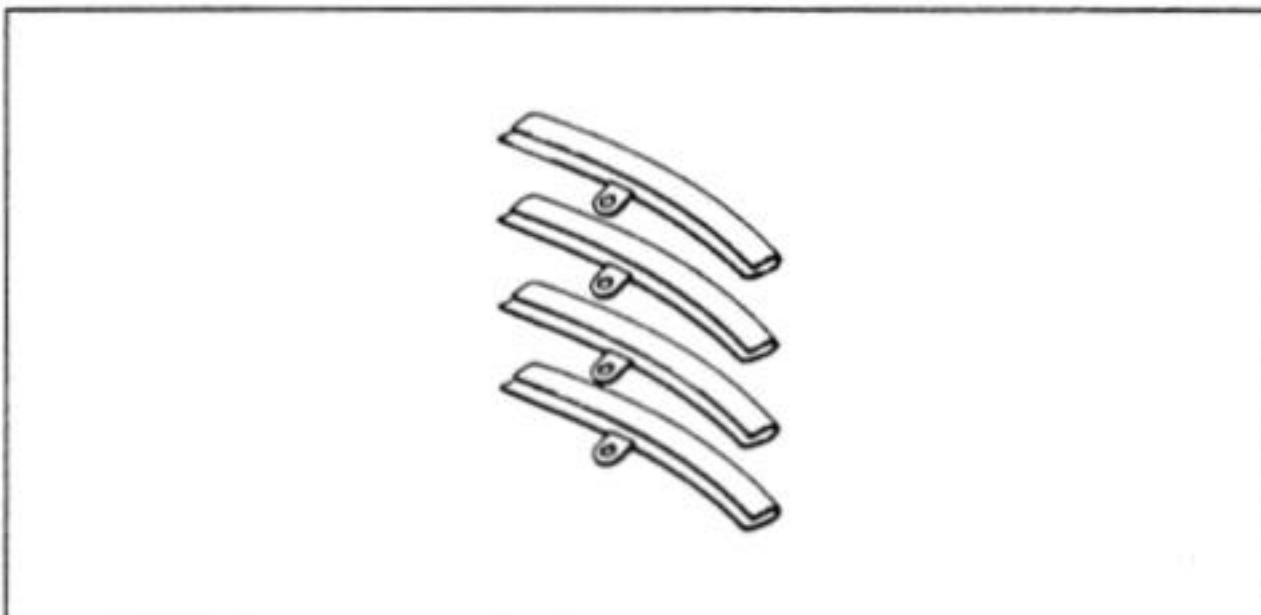
Bead Breaker Assembly: 57001-1072



Inside Circlip Pliers: 57001-143



Rim Protector: 57001-1063



Bearing Remover Shaft: 57001-1265

