

# Engine Removal / Installation

## Table of Contents

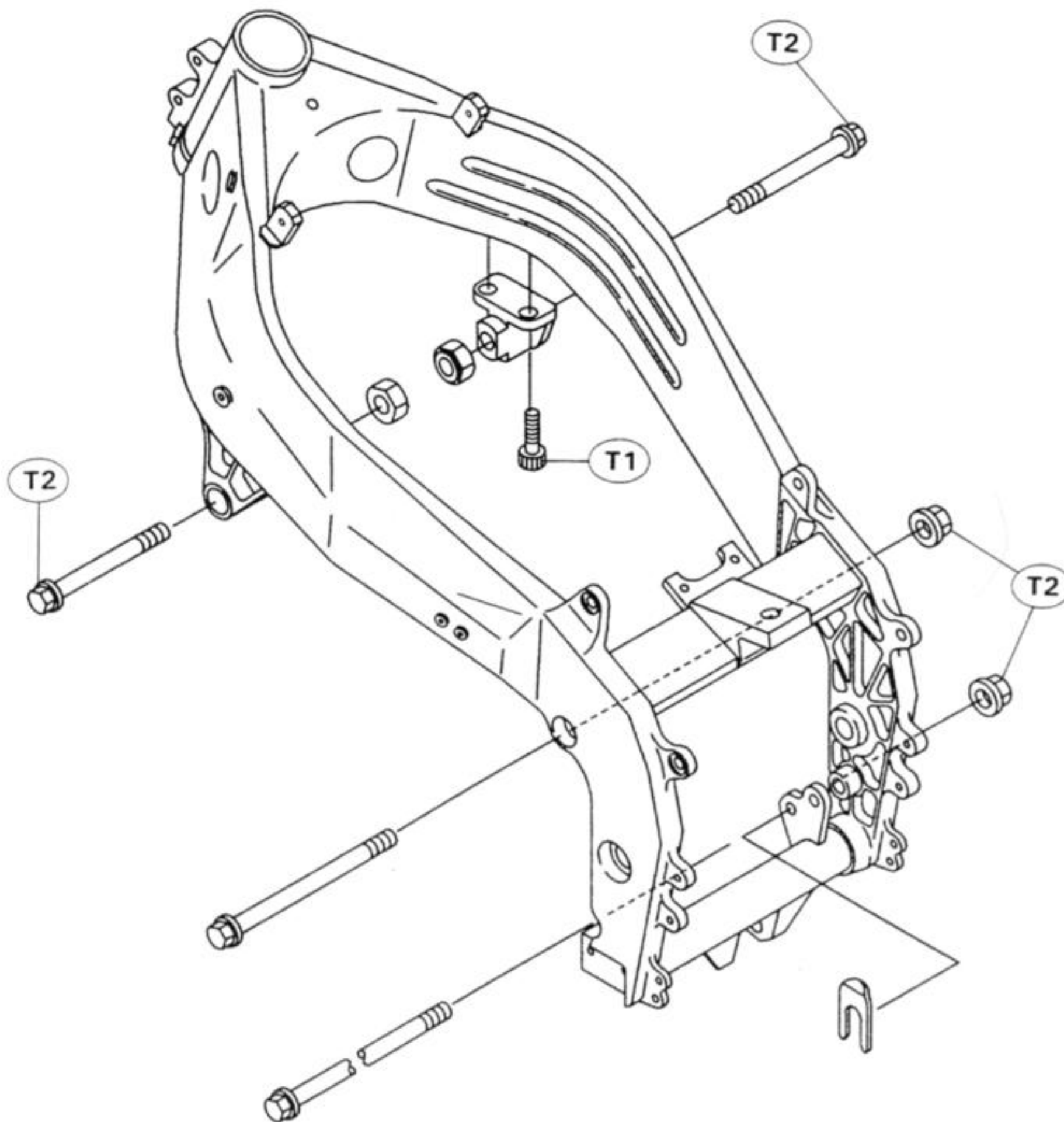
Exploded View .....	7-2
Special Tool.....	7-3

## 7-2 ENGINE REMOVAL / INSTALLATION

---

### Exploded View

---



T1 : 25 N-m (2.5 kg-m, 18 ft-lb)  
T2 : 44 N-m (4.5 kg-m, 33 ft-lb)

---

**Special Tool**

---

Jack: 57001-1238

