

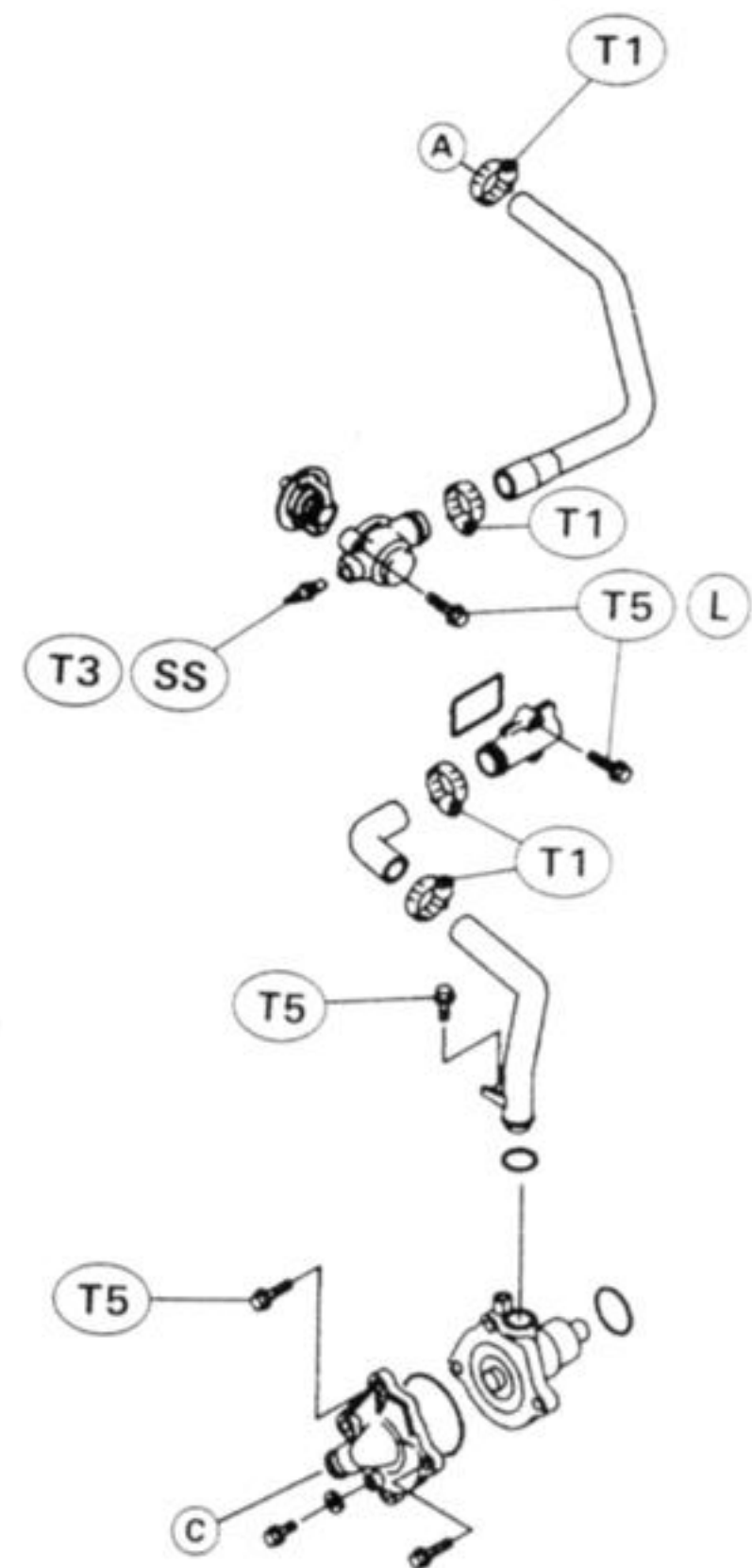
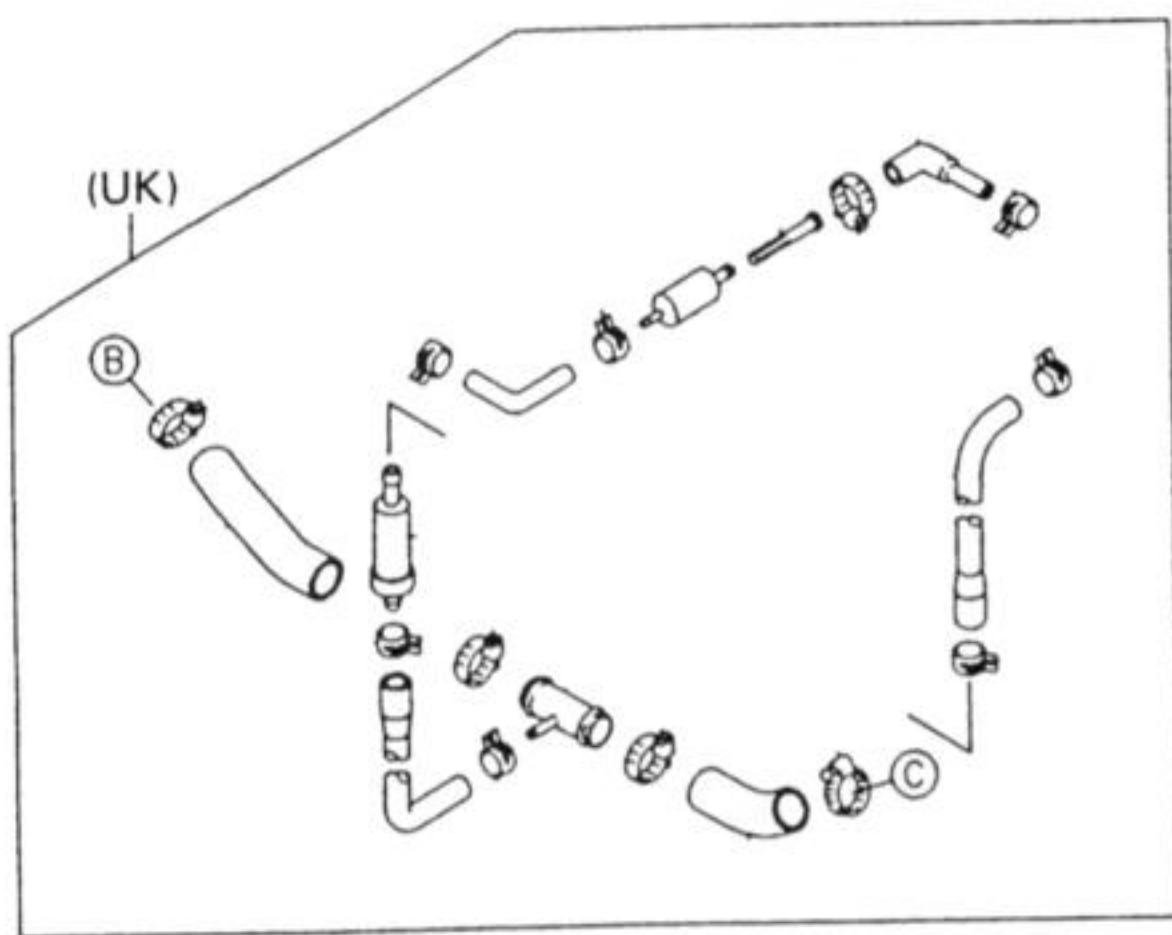
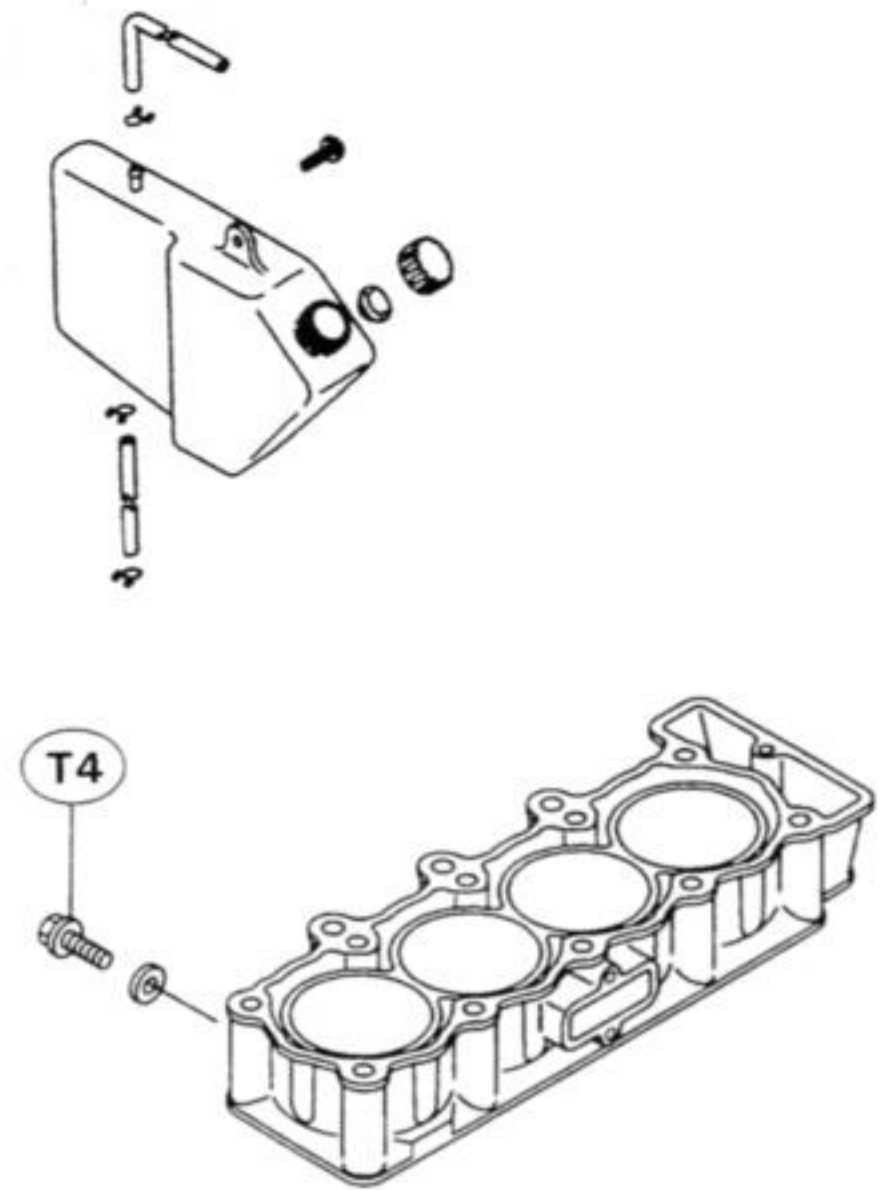
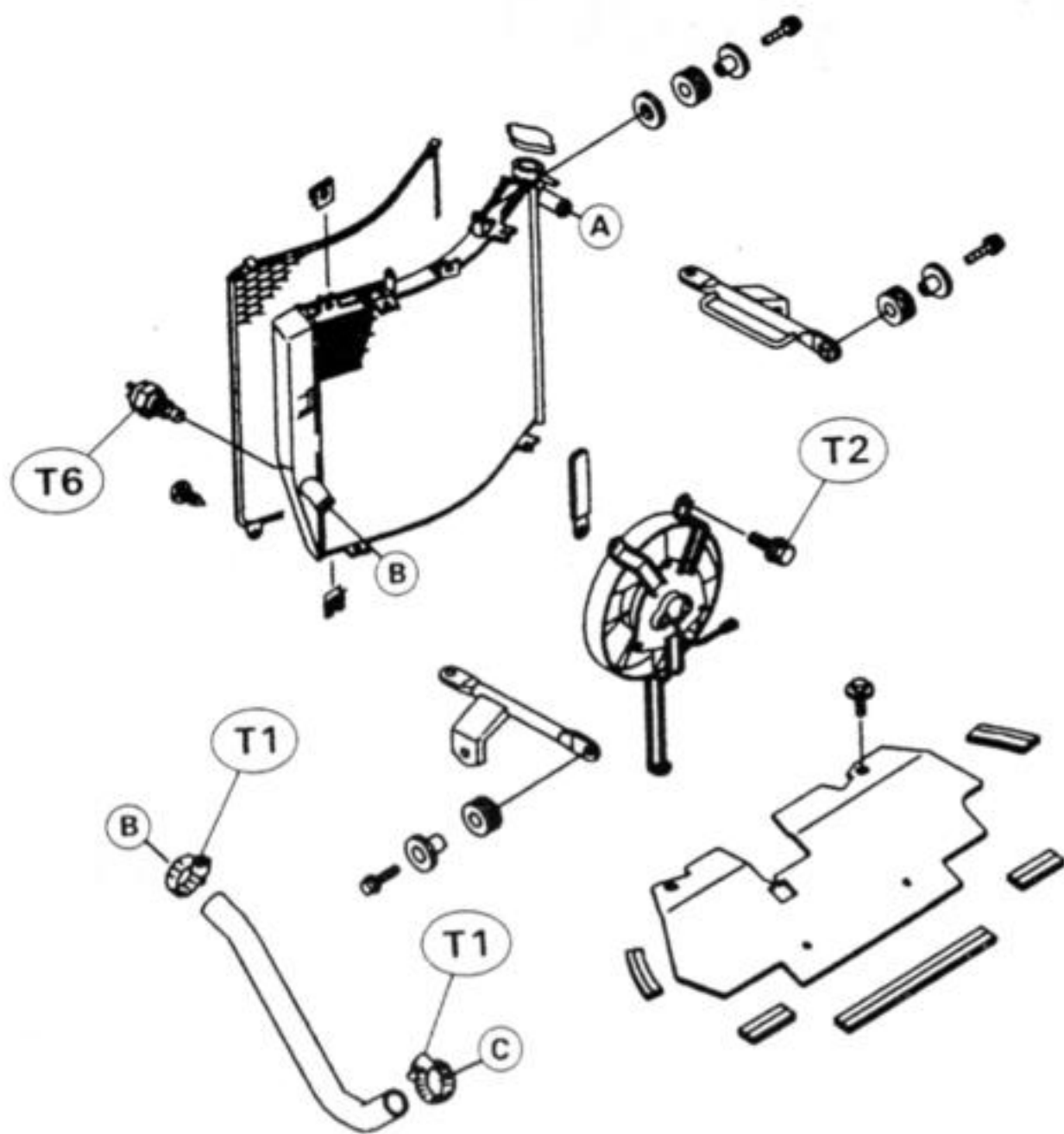
Cooling System

Table of Contents

Exploded View	3-2
Specifications	3-3
Special Tool	3-3
Sealant	3-3
Coolant	3-3
Coolant Filter Cleaning	3-3

3-2 COOLING SYSTEM

Exploded View



- T1 : 2.0 N-m (0.2 kg-m, 17 in-lb)
- T2 : 3.4 N-m (0.35 kg-m, 30 in-lb)
- T3 : 7.8 N-m (0.8 kg-m, 69 in-lb)
- T4 : 8.8 N-m (0.9 kg-m, 78 in-lb)
- T5 : 9.8 N-m (1.0 kg-m, 7.0 ft-lb)
- T6 : 18 N-m (1.8 kg-m, 13 ft-lb)

L : Apply a non-permanent locking agent to the threads.

SS: Apply silicone sealant to the threads.

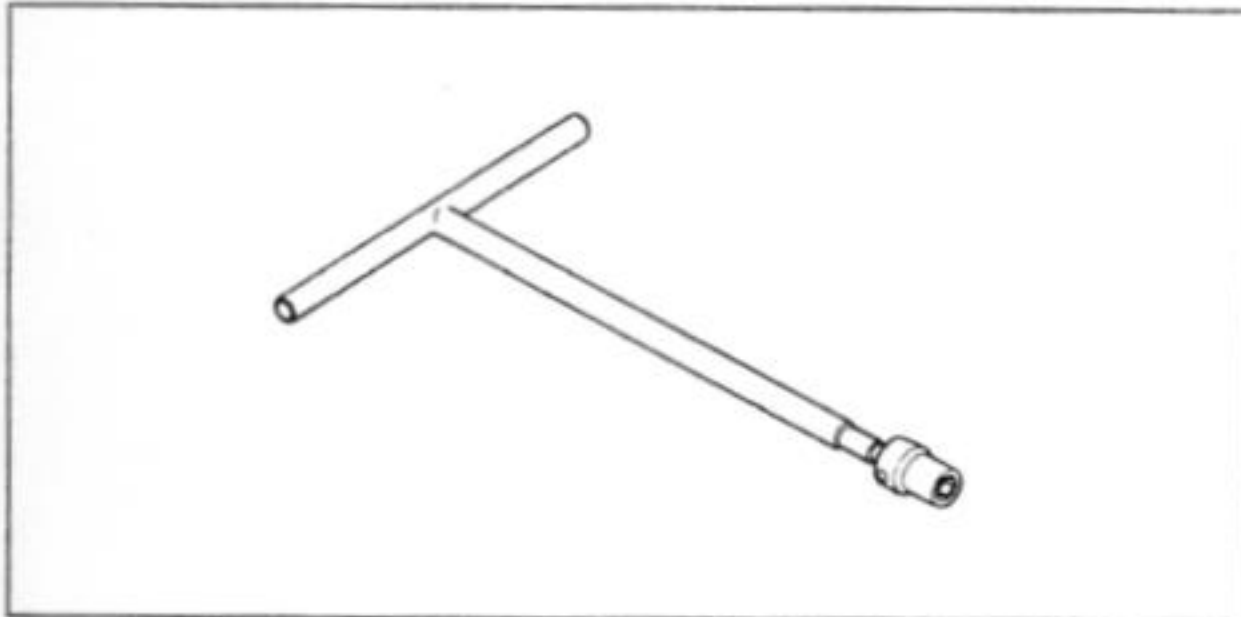
UK: U.K. and L4 ~ L5 Models

Specifications

Item	Standard
Coolant: Type Color Mixed ratio Freezing point Total amount	Permanent type of antifreeze for aluminum engines and radiators Green Soft water 50%, coolant 50% -35°C (-31°F) 2.3 L (reservoir tank full level)
Radiator: Cap relief pressure	93 ~ 123 kPa (0.95 ~ 1.25 kg/cm ² , 14 ~ 18 psi)
Thermostat: Valve opening temperature Valve full opening lift	80.0 ~ 84.0°C (176 ~ 183°F) Not less than 6 mm @95°C (203°F)

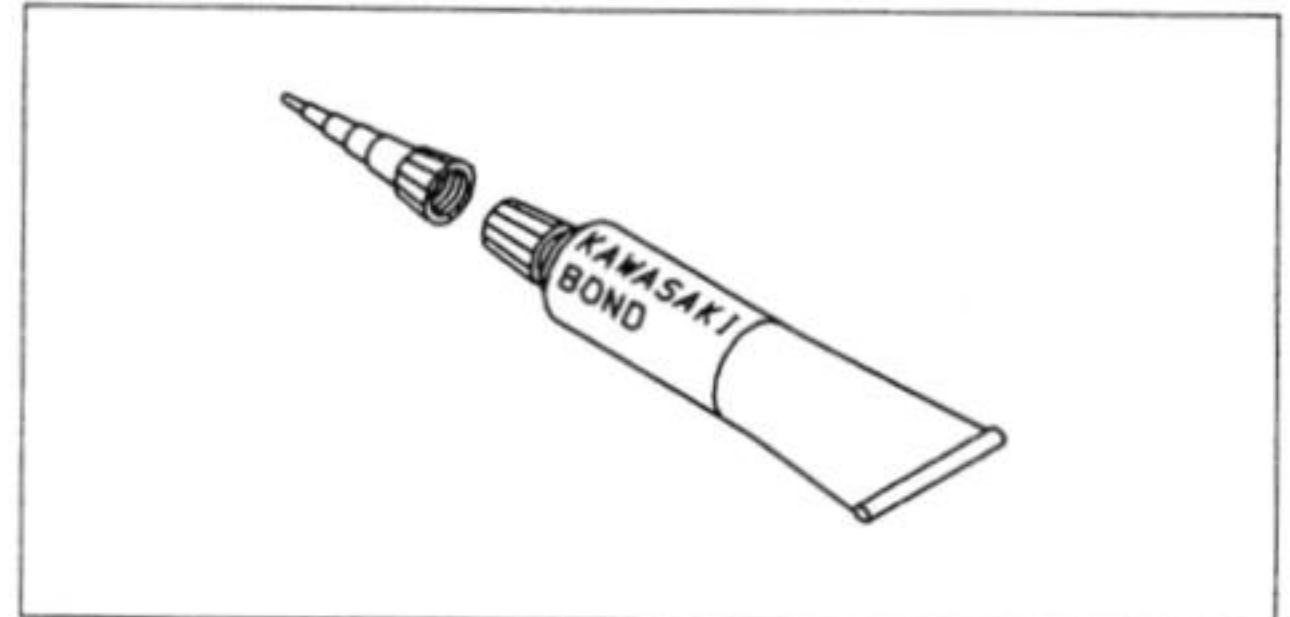
Special Tool

Socket Wrench, Hex 8: 57001-1268



Sealant

Kawasaki Bond (Silicone Sealant): 56019-120



Coolant

Coolant Filter cleaning

Refer to the chapter of carburetor in Fuel System for the cleaning Procedure.