

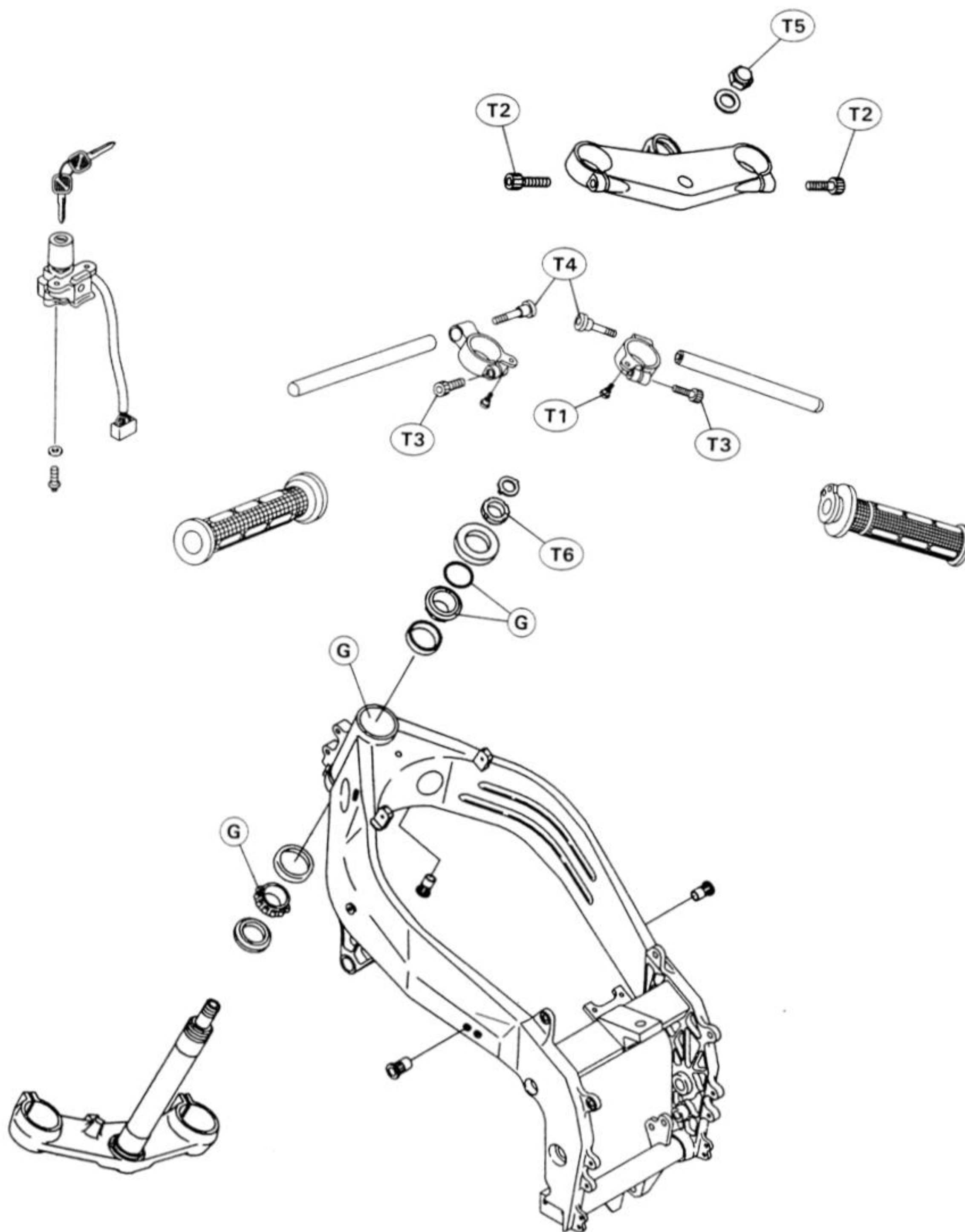
Steering

Table of Contents

Exploded View13-2
Special Tools13-3

13-2 STEERING

Exploded View

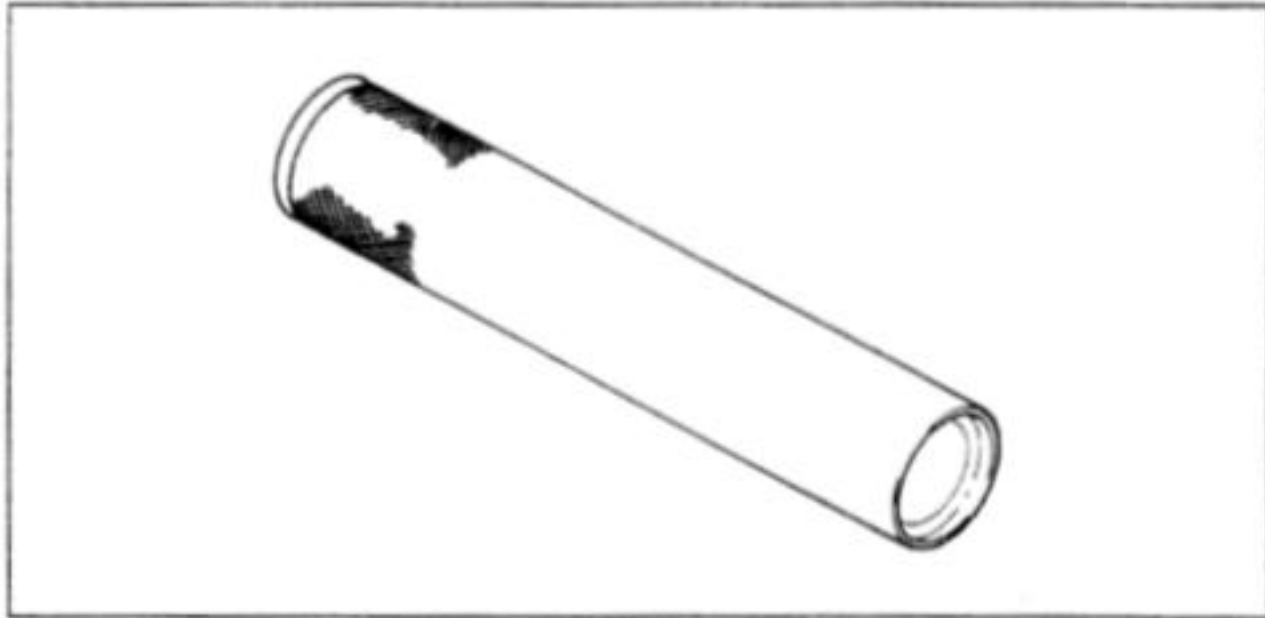


- T1: 9.8 N-m (1.0 kg-m, 7.0 ft-lb)
- T2: 20 N-m (2.0 kg-m, 14.5 ft-lb)
- T3: 23 N-m (2.3 kg-m, 16.5 ft-lb)
- T4: 34 N-m (3.5 kg-m, 25 ft-lb)
- T5: 54 N-m (5.5 kg-m, 40 ft-lb)
- T6: Tighten all snugly, then loosen. Retighten to 4.9 N-m (0.5 kg-m, 43 in-lb).

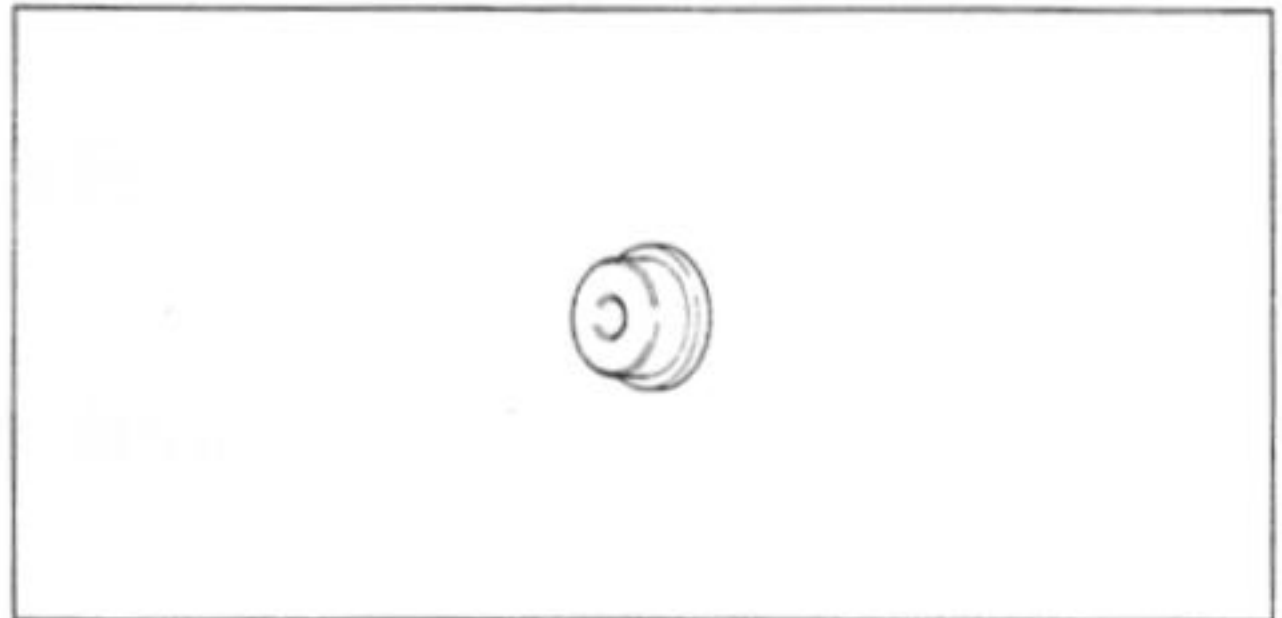
G : Apply grease.

Special Tools

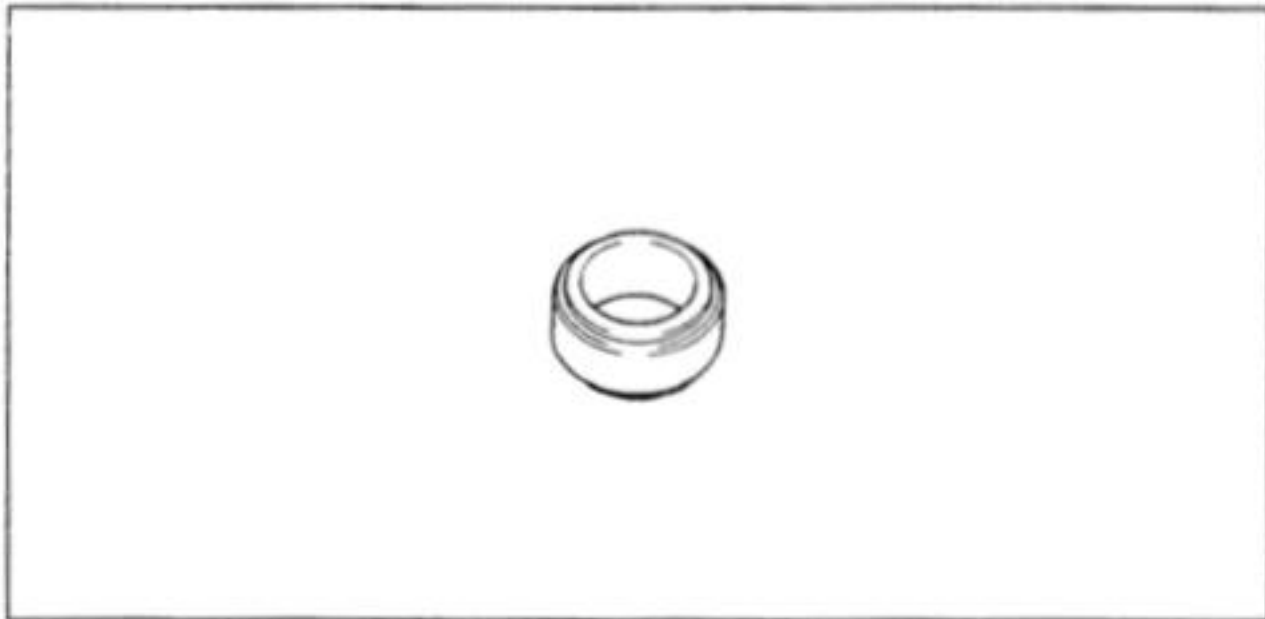
Steering Stem Bearing Driver: 57001-1344



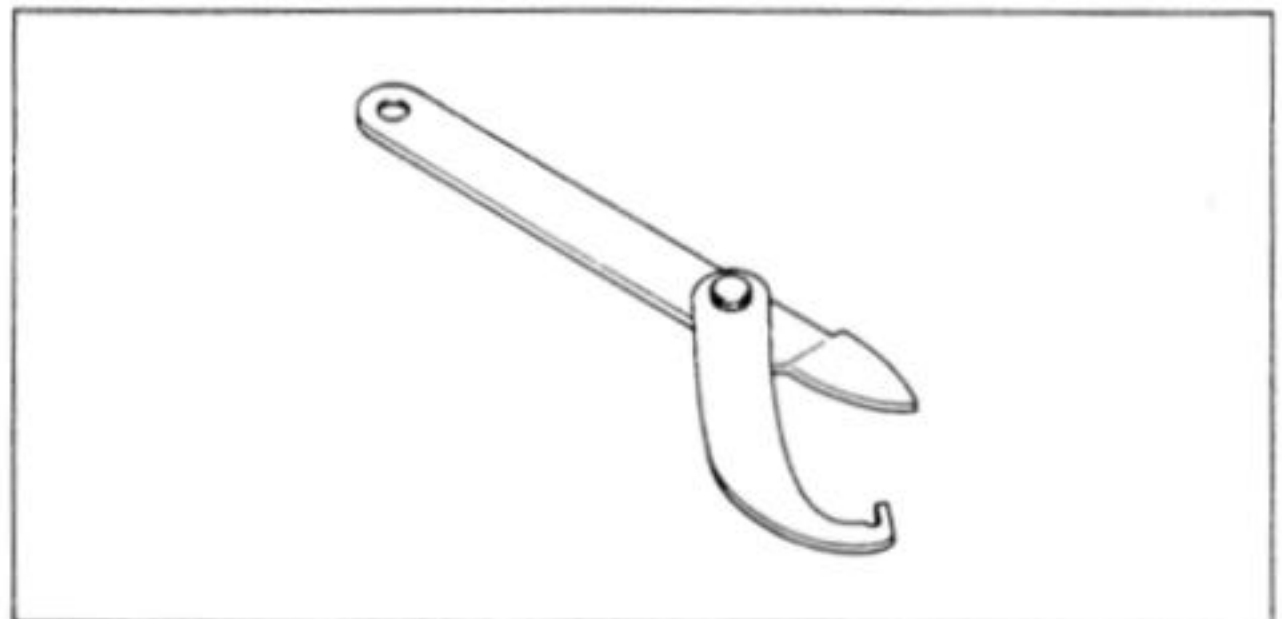
Head Pipe Outer Race Driver: 57001-1106



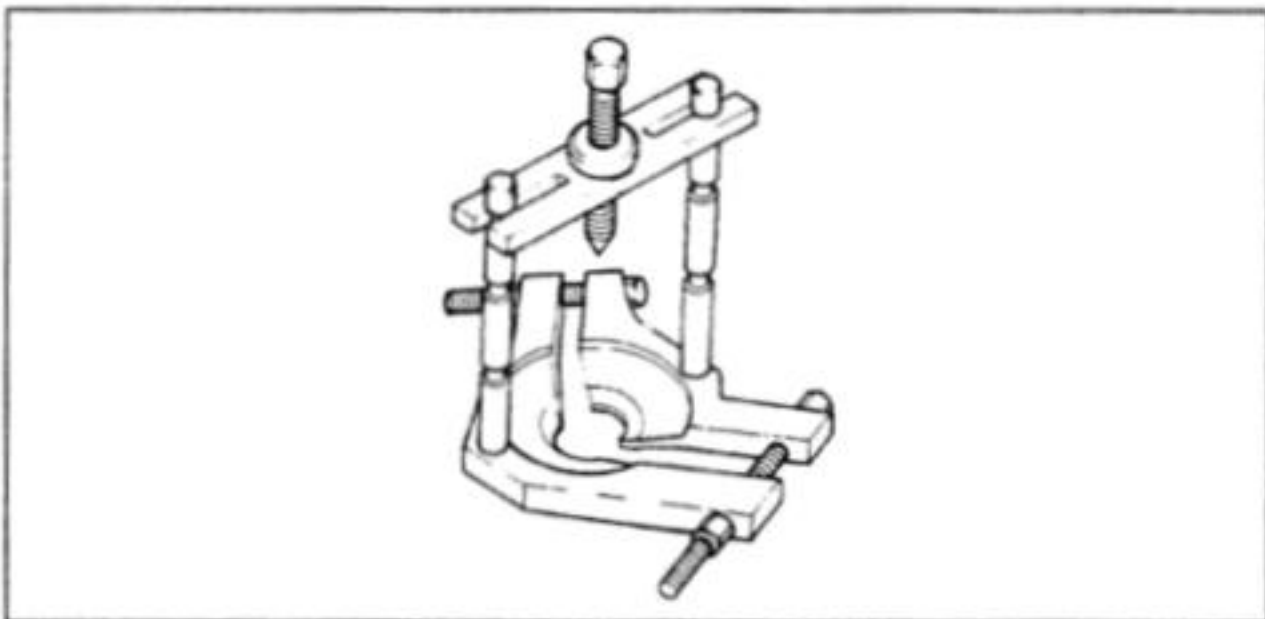
Steering Stem Bearing Driver Adapter: 57001-1345



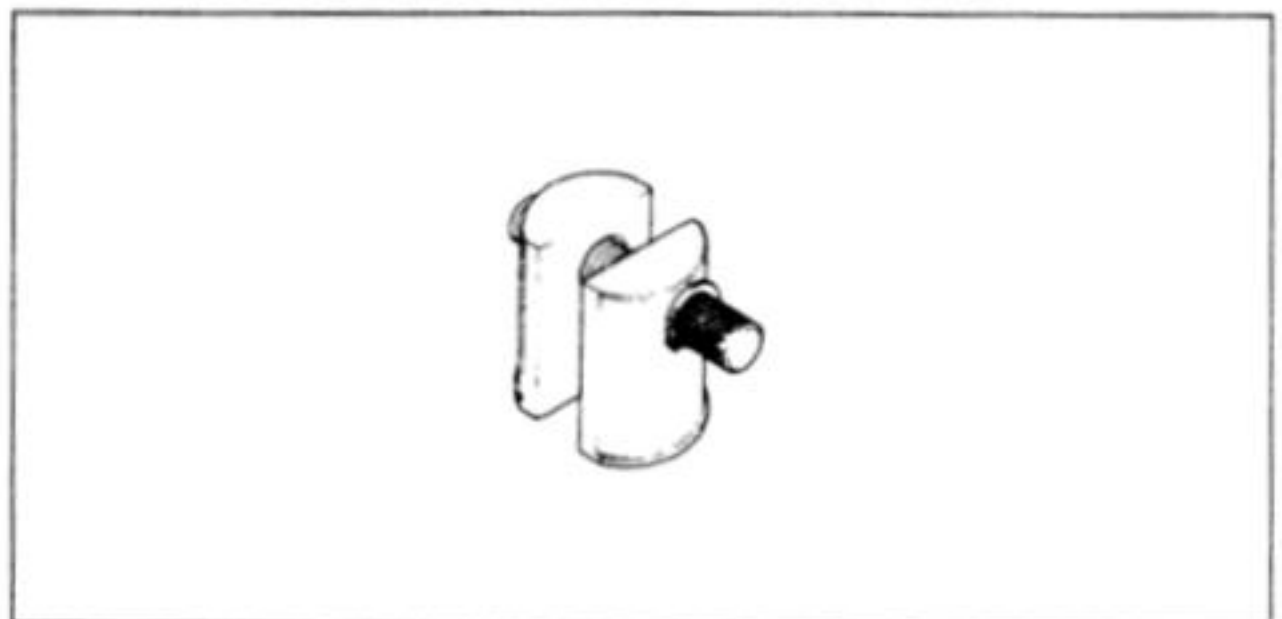
Steering Stem Nut Wrench: 57001-1100



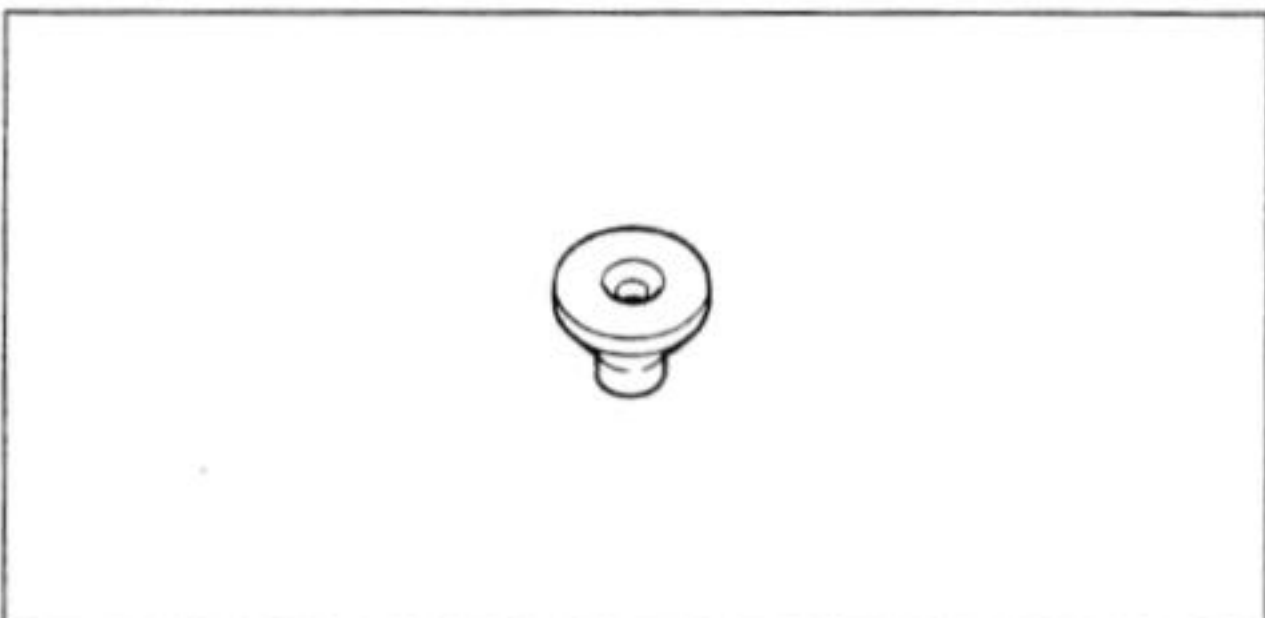
Bearing Puller: 57001-158



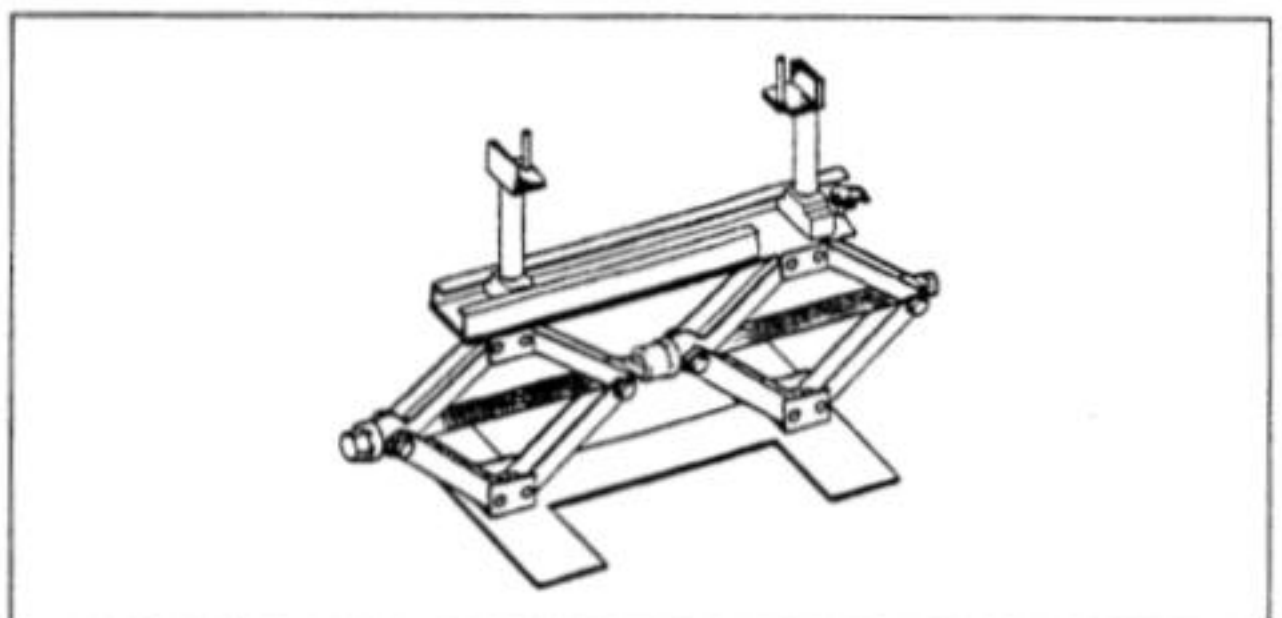
Head Pipe Outer Race Remover: 57001-1107



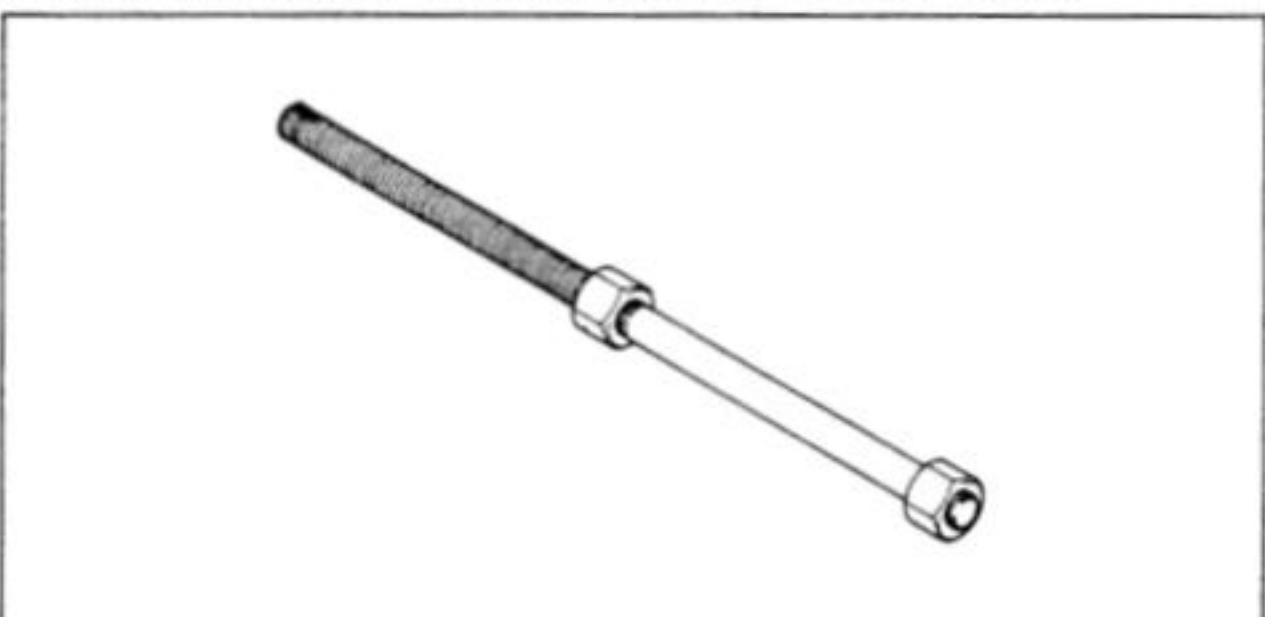
Bearing Puller Adapter: 57001-317



Jack: 57001-1238



Head Pipe Outer Race Press Shaft: 57001-1075



Bearing Puller Stud: 57001-1190

