

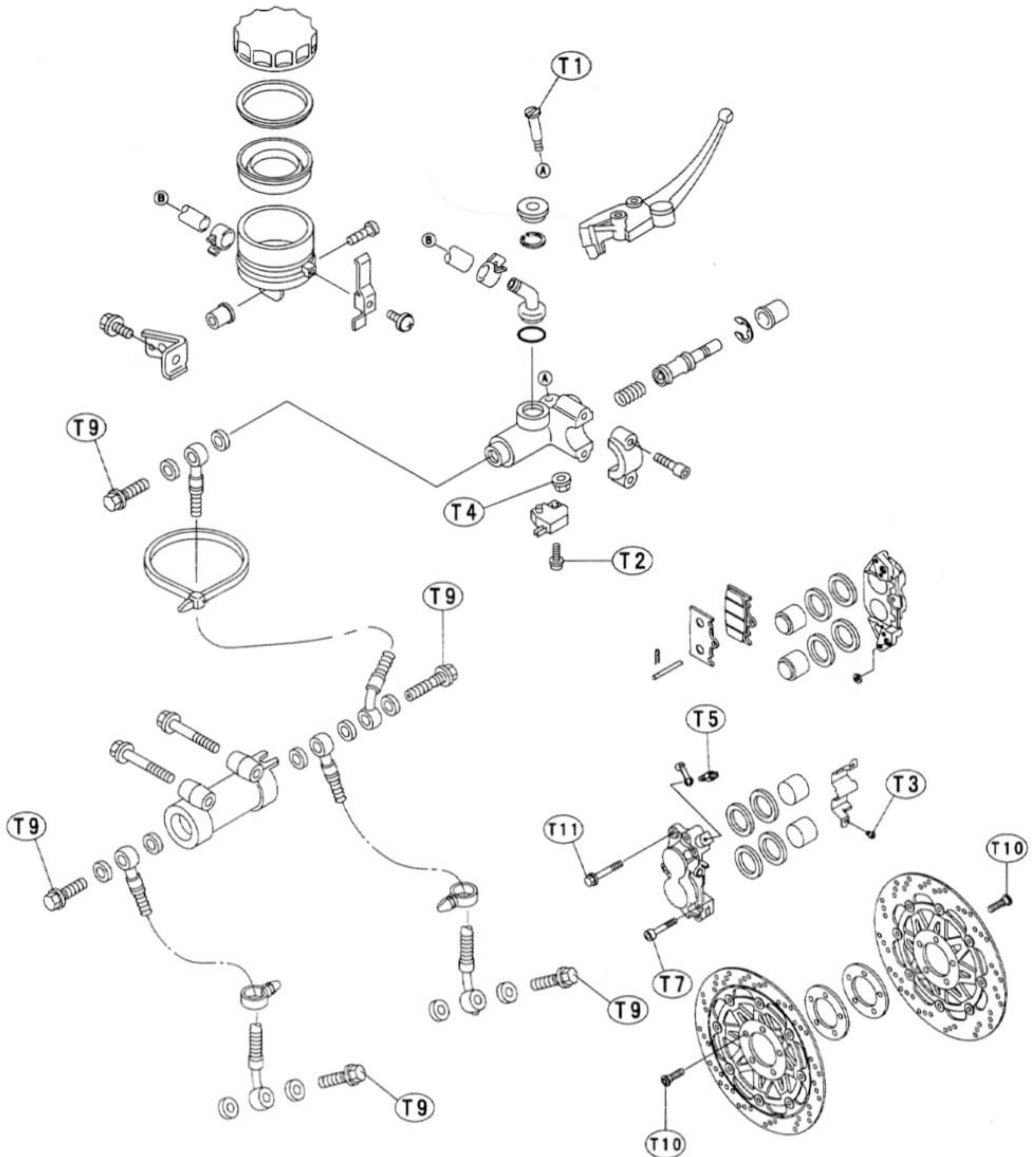
Brakes

Table of Contents

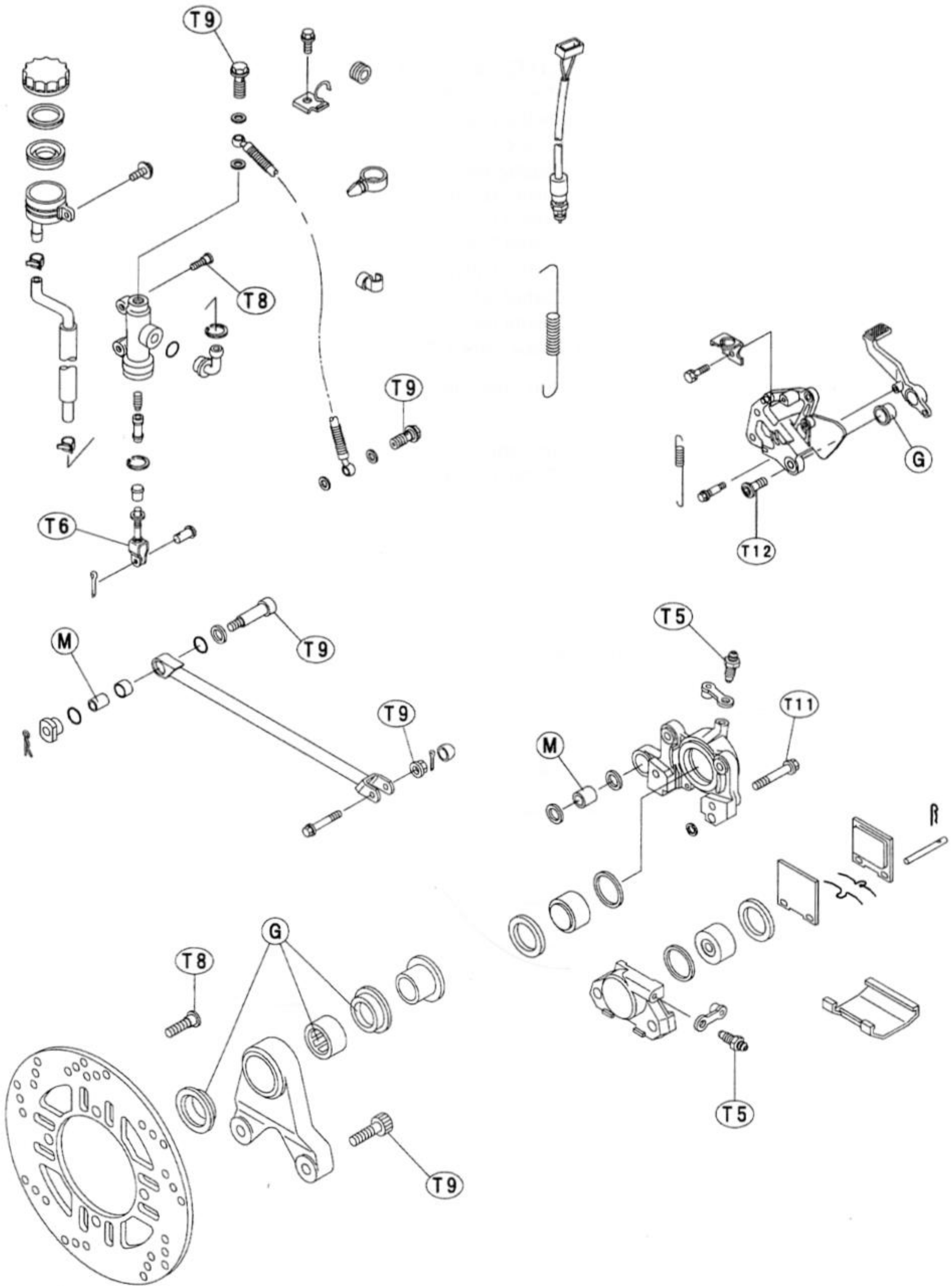
Exploded View	11-2
Specifications	11-4
Special Tools	11-4

11-2 BRAKES

Exploded View



ZX400L02W4 C



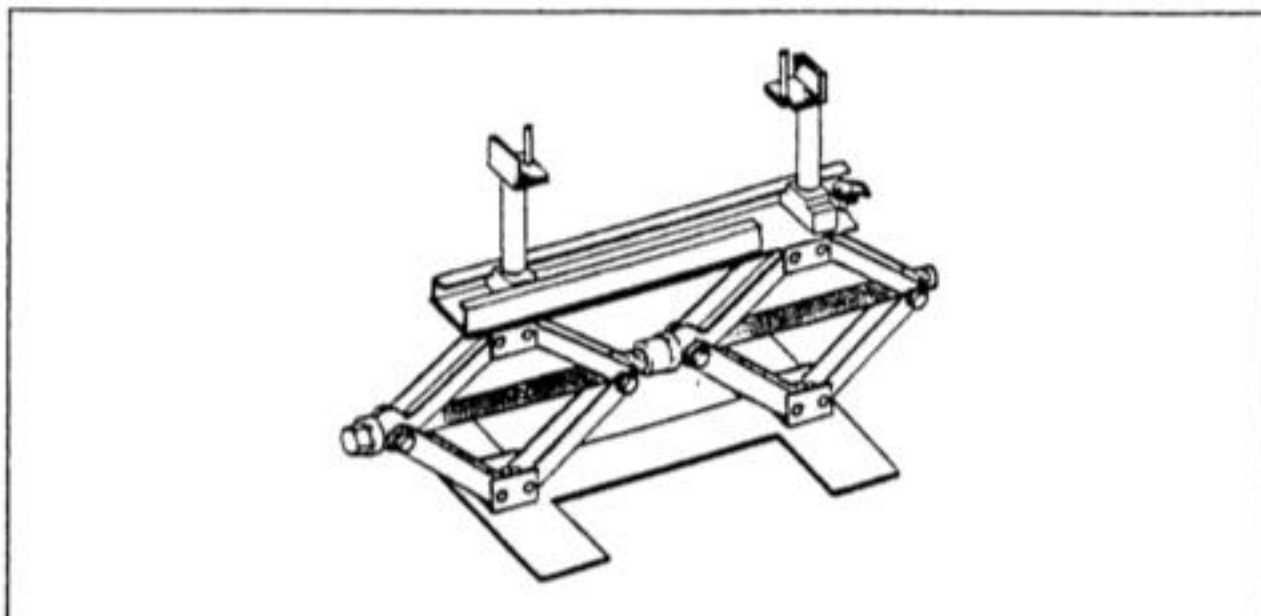
11-4 BRAKES

Specifications

Item	Standard	Service Limit
Brake Fluid: Grade Brand (recommended):	D.O.T.3 or D.O.T.4 Atlas Extra Heavy Duty Shell Super Heavy Duty Texaco Super Heavy Duty Wagner Lockheed Heavy Duty Castrol Girling-Universal Castrol GT (LMA) Castrol Disc Brake Fluid Castrol Girling, Universal Castrol GT (LMA) Castrol Disc Brake Fluid Check Shock Premium Heavy Duty	--- --- --- --- --- --- --- --- --- ---
Brake Lever Free Play:	Non-adjustable	---
Brake Pedal: Brake pedal free play Brake pedal position	Non-adjustable 43 mm below from center of brake pedal shaft	--- ---
Brake Light Switch: Front Rear	Non-adjustable On after about 10 mm pedal travel	--- ---
Brake Pad Lining Thickness: Front Rear	4 mm 4 mm	1 mm 1 mm
Brake Disc: Disc thickness: Front Rear Disc runout	3.8 ~ 4.1 mm 5.8 ~ 6.1 mm 0.2 mm or under	3.5 mm 5.5 mm 0.3 mm

Special Tools

Jack: 57001-1238



Inside Circlip Pliers: 57001-143

