

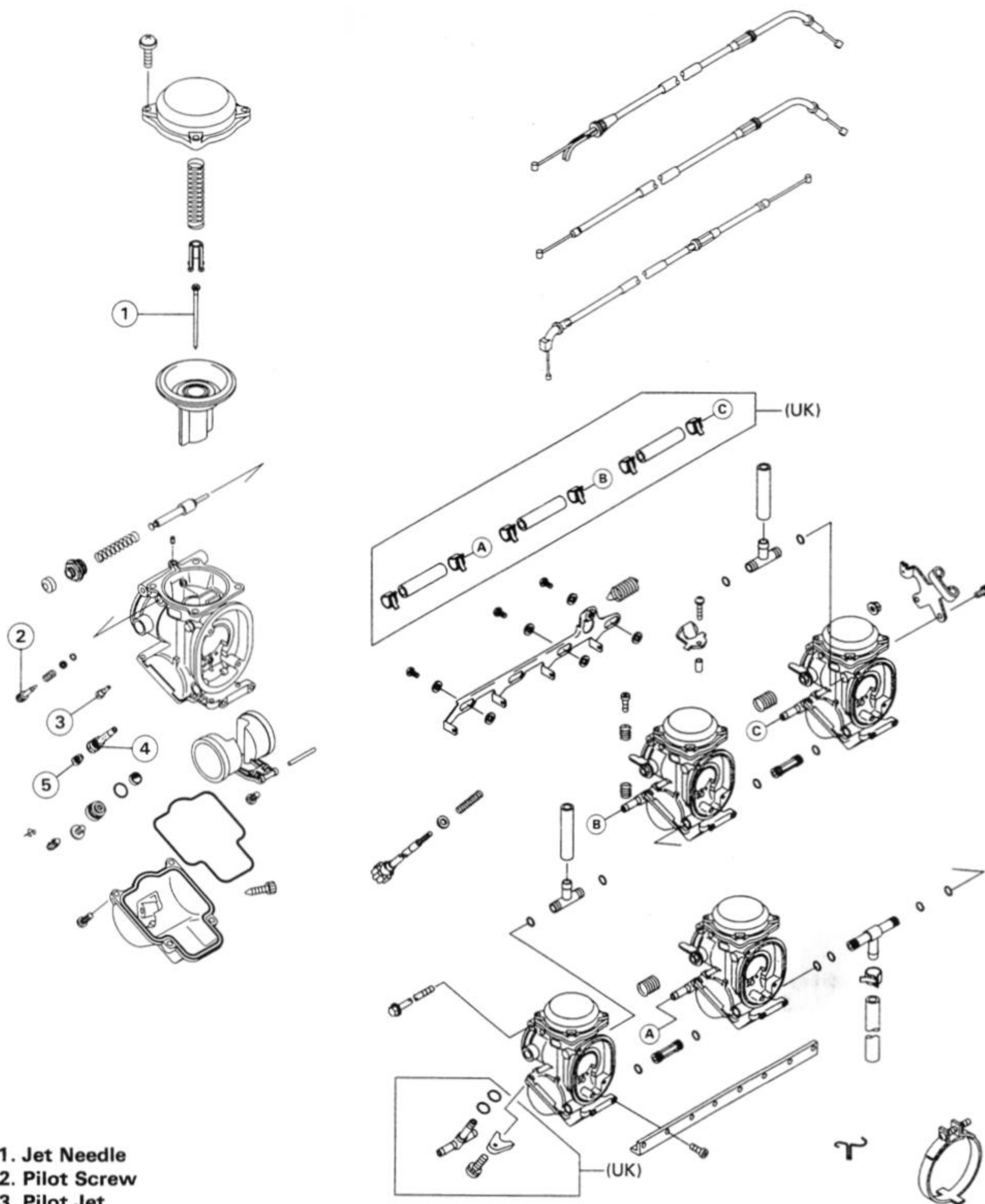
# Fuel System

## Table of Contents

Exploded View .....	2-2
Specifications .....	2-4
Special Tools .....	2-4
Carburetors .....	2-5
Carburetor Installation .....	2-5
Coolant Filter Cleaning (U.K. and L4 ~ L5 Models) .....	2-5

## 2-2 FUEL SYSTEM

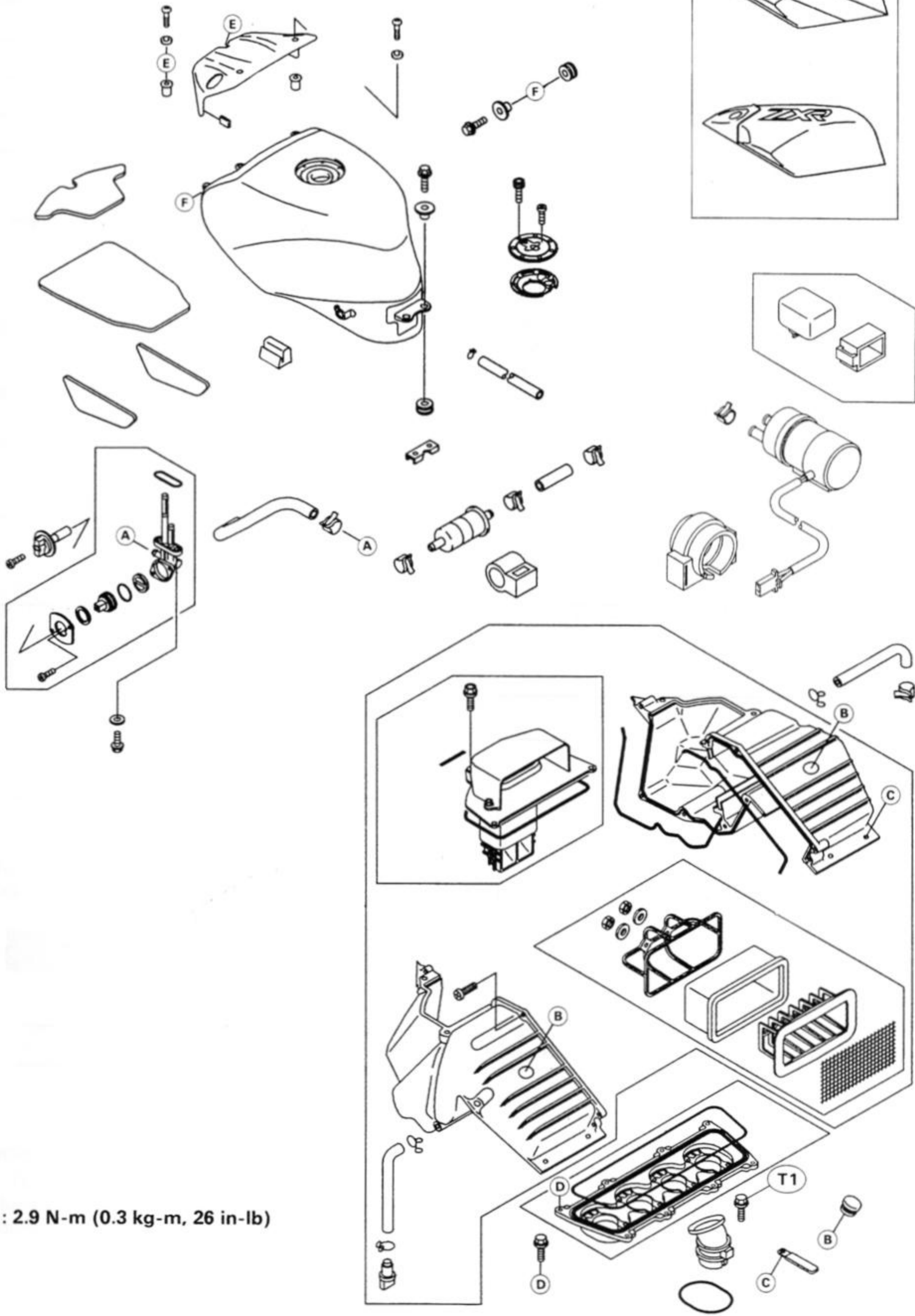
### Exploded View



- 1. Jet Needle
- 2. Pilot Screw
- 3. Pilot Jet
- 4. Needle Jet Holder
- 5. Main Jet

UK : U.K. and L4 ~ L5 Models

FUEL SYSTEM 2-3



T1 : 2.9 N-m (0.3 kg-m, 26 in-lb)

## 2-4 FUEL SYSTEM

### Specifications

Item	Standard
Throttle Grip Free Play:	2 ~ 3 mm
Choke Cable Free Play:	2 ~ 3 mm
Idle Speed:	1 200 ±50 r/min (rpm)
<b>Carburetor Specifications:</b> Make/type Synchronization vacuum Main jet                    Standard Option Main air jet Needle jet Jet needle mark Pilot jet (slow jet) Pilot air jet Pilot screw Starter jet Service fuel level Float height	Keihin/CVK-D32 2.7 kPa (2 cm Hg) or less difference between two cylinders #95 #90, 92, 98, 100 #100 #6 N77S, N77R (AR, FG: L1), CEG (EU: L1 ~ L3) #35 #110, #120 (AR, FG: L1, EU: L1) 1 5/8, 1 3/4 (AR, FG: L1, EU: L1), 1 1/2 (EU: L2 ~ L3) #45 8 ±1 mm below the mark 11 ±2 mm
<b>Air Cleaner:</b> Air cleaner element oil:    Grade Viscosity	SE or SF class SAE 30

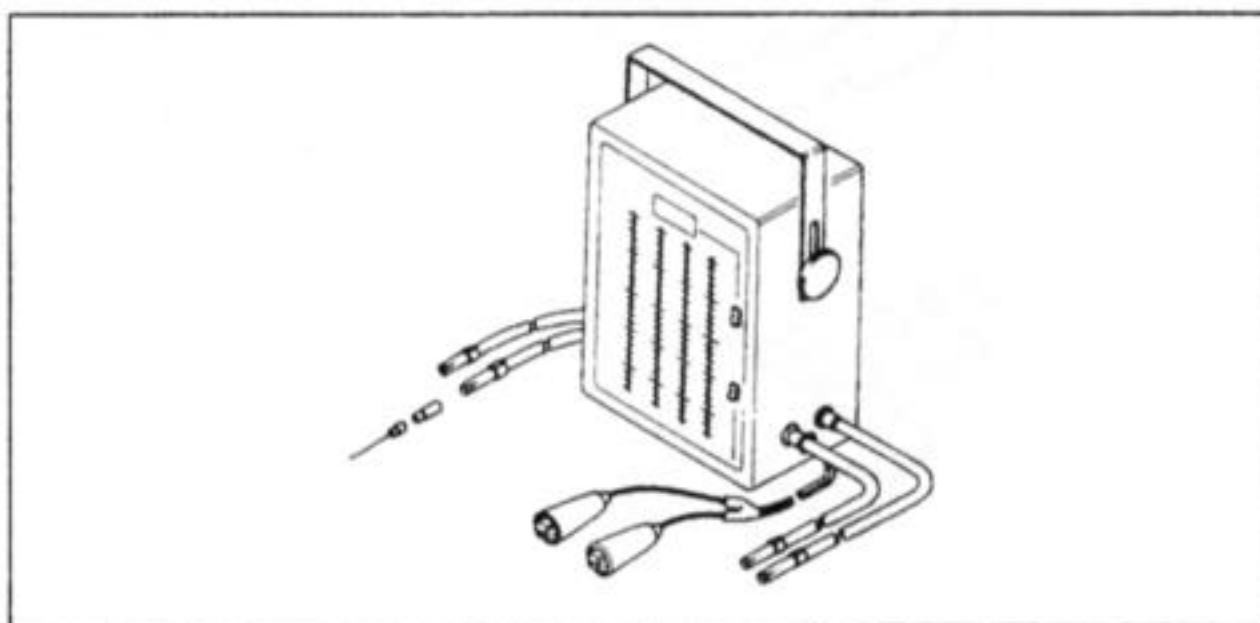
(AR): Austrian Model

(FG): German Model

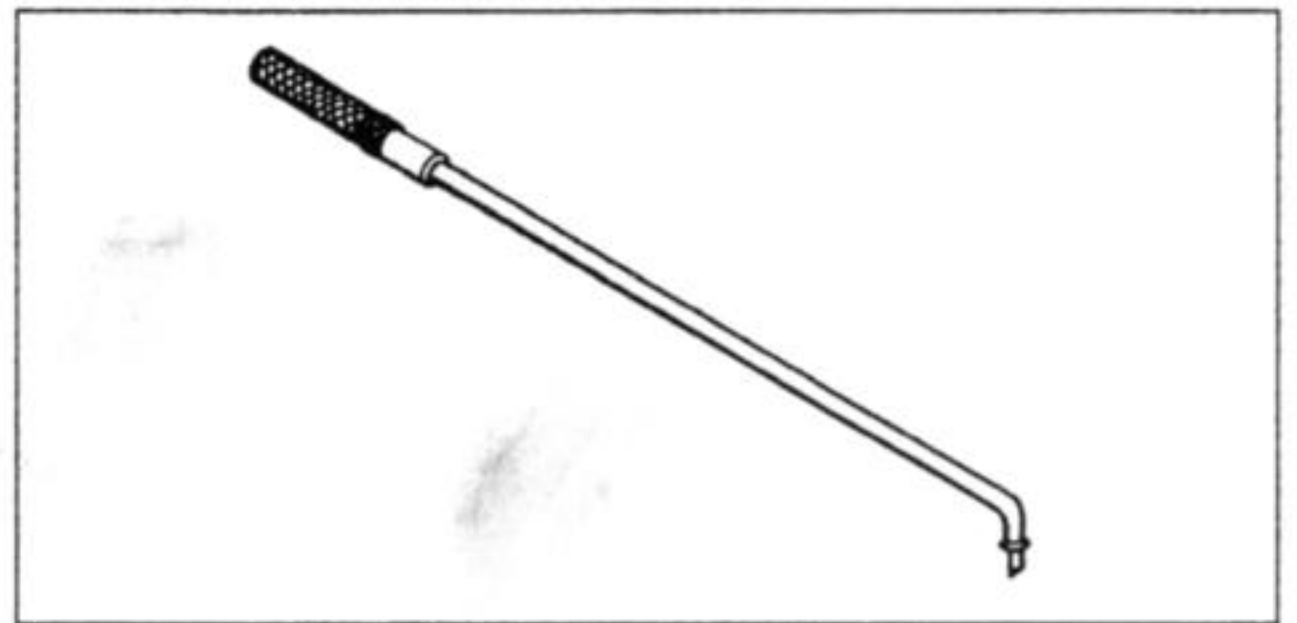
(EU): European Model

### Special Tools

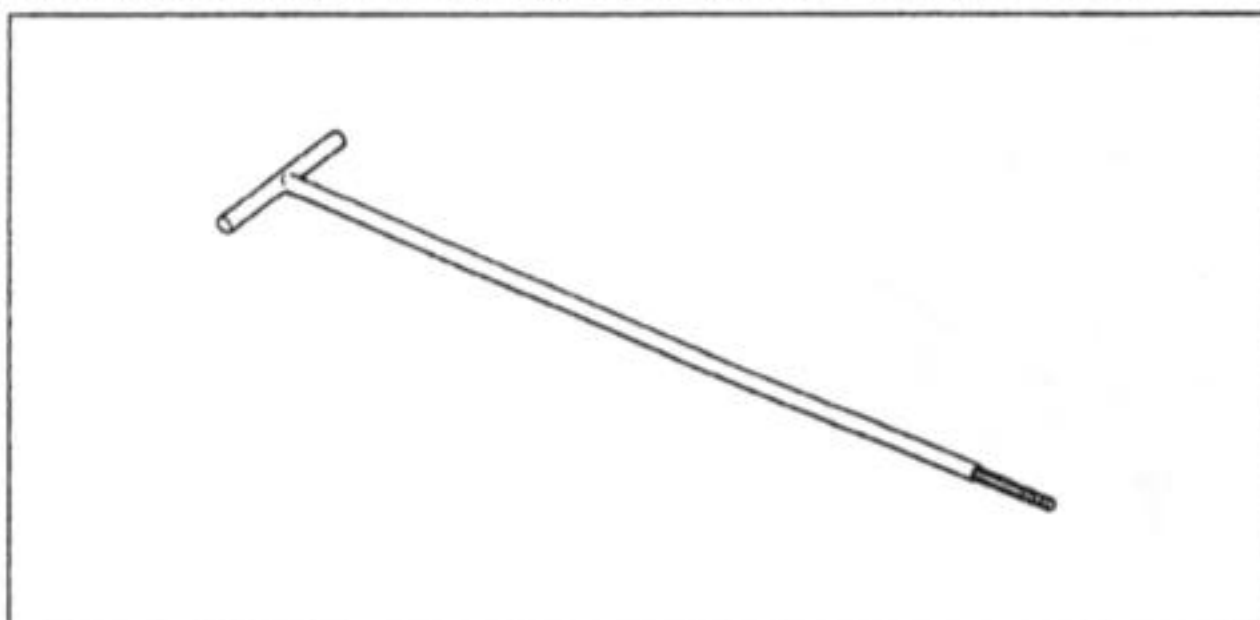
Vacuum Gauge & Tachometer: 57001-1291



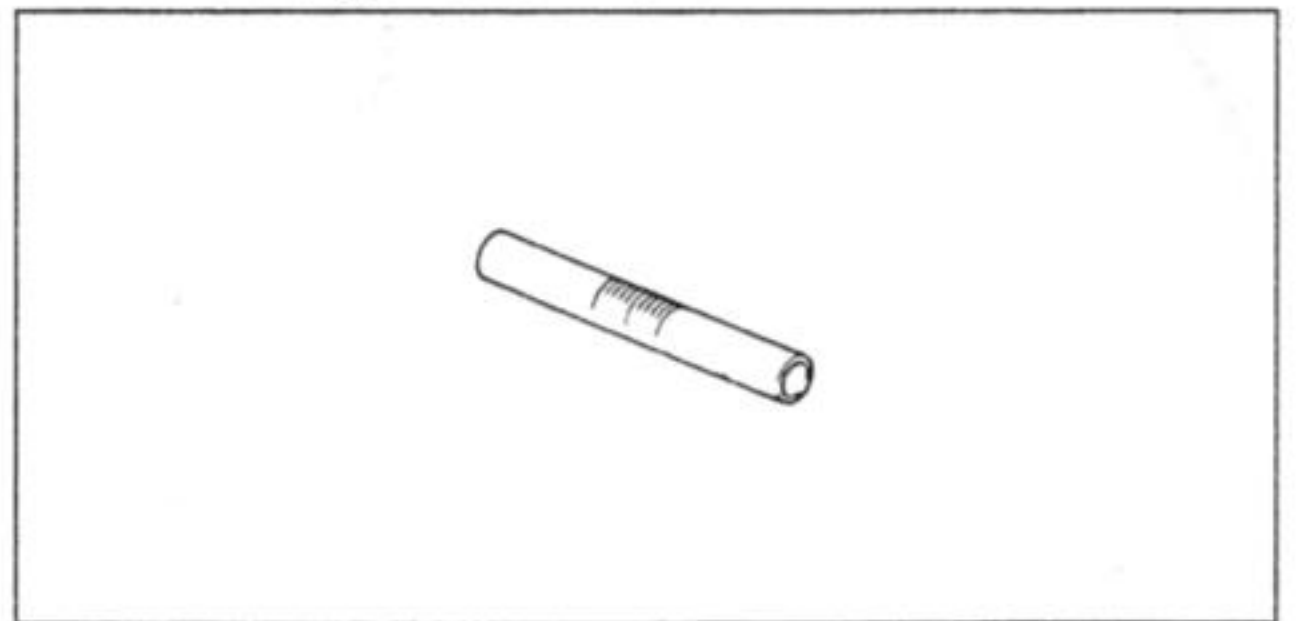
Pilot Screw Adjuster, A: 57001-1239



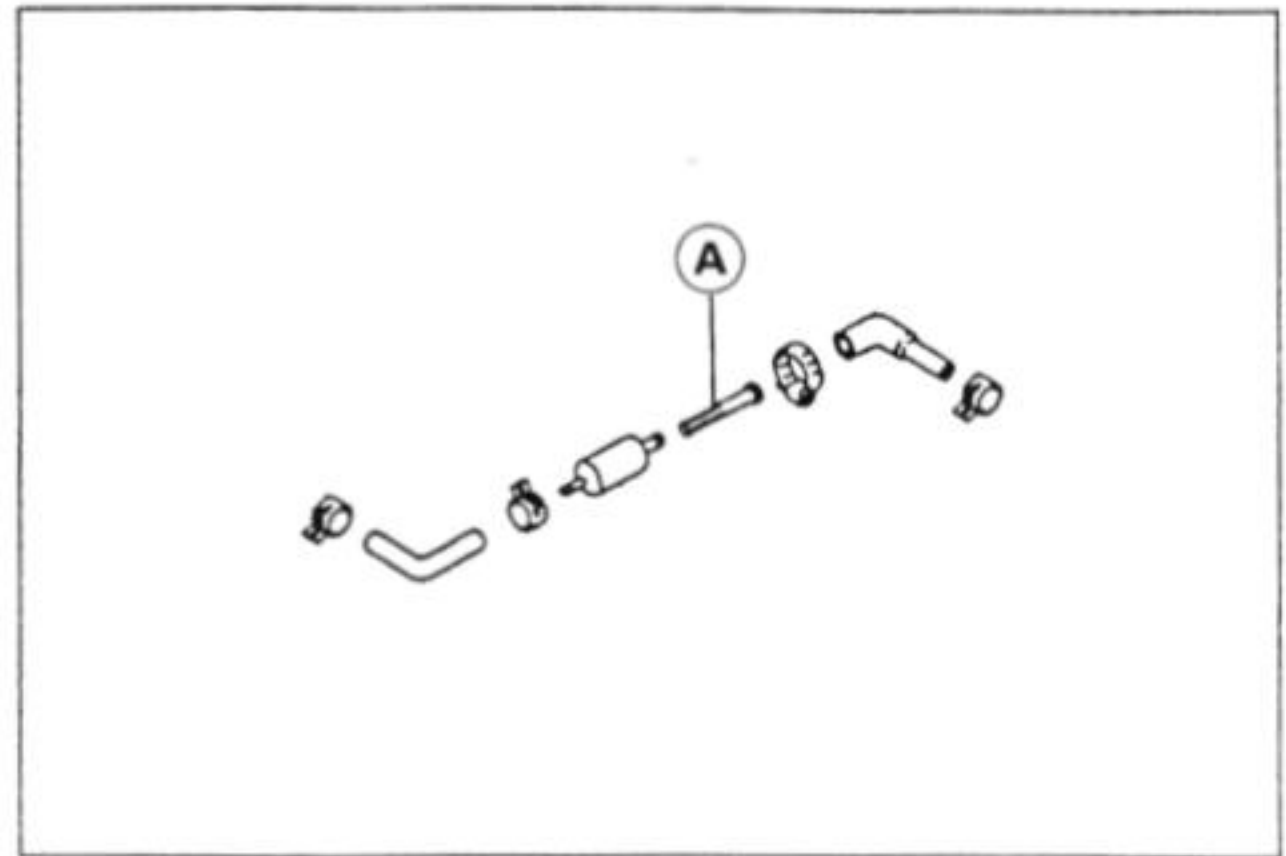
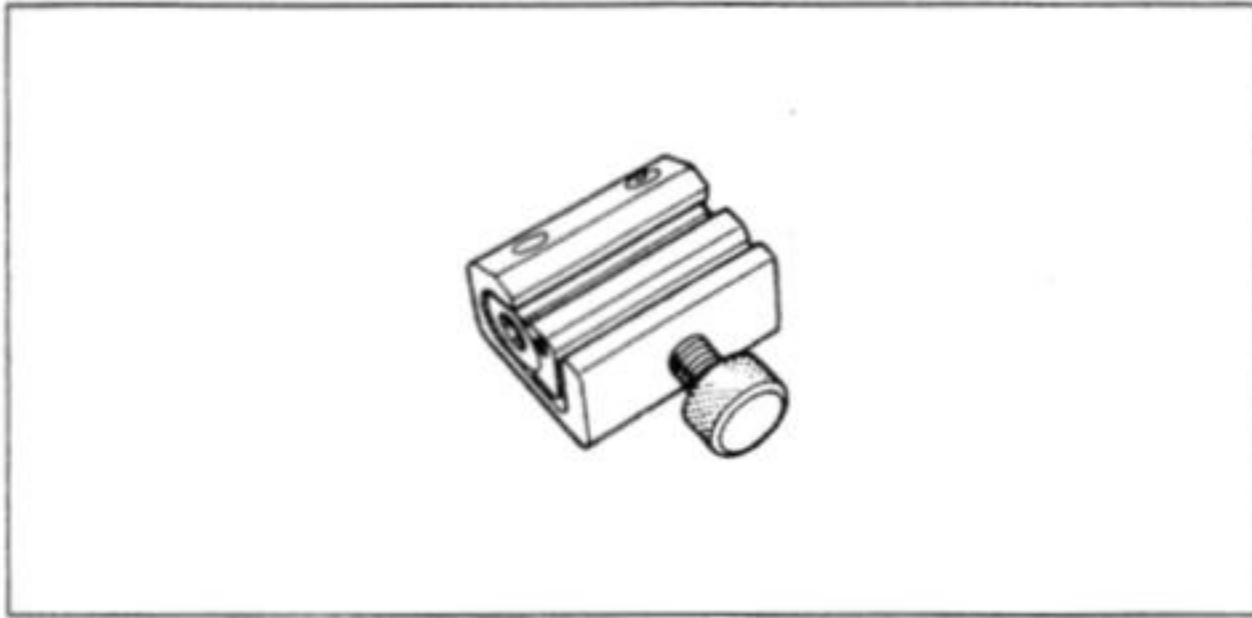
Carburetor Drain Plug Wrench, Hex 3: 57001-1269



Fuel Level Gauge: 57001-1017



Pressure Cable Luber: K5601-9021



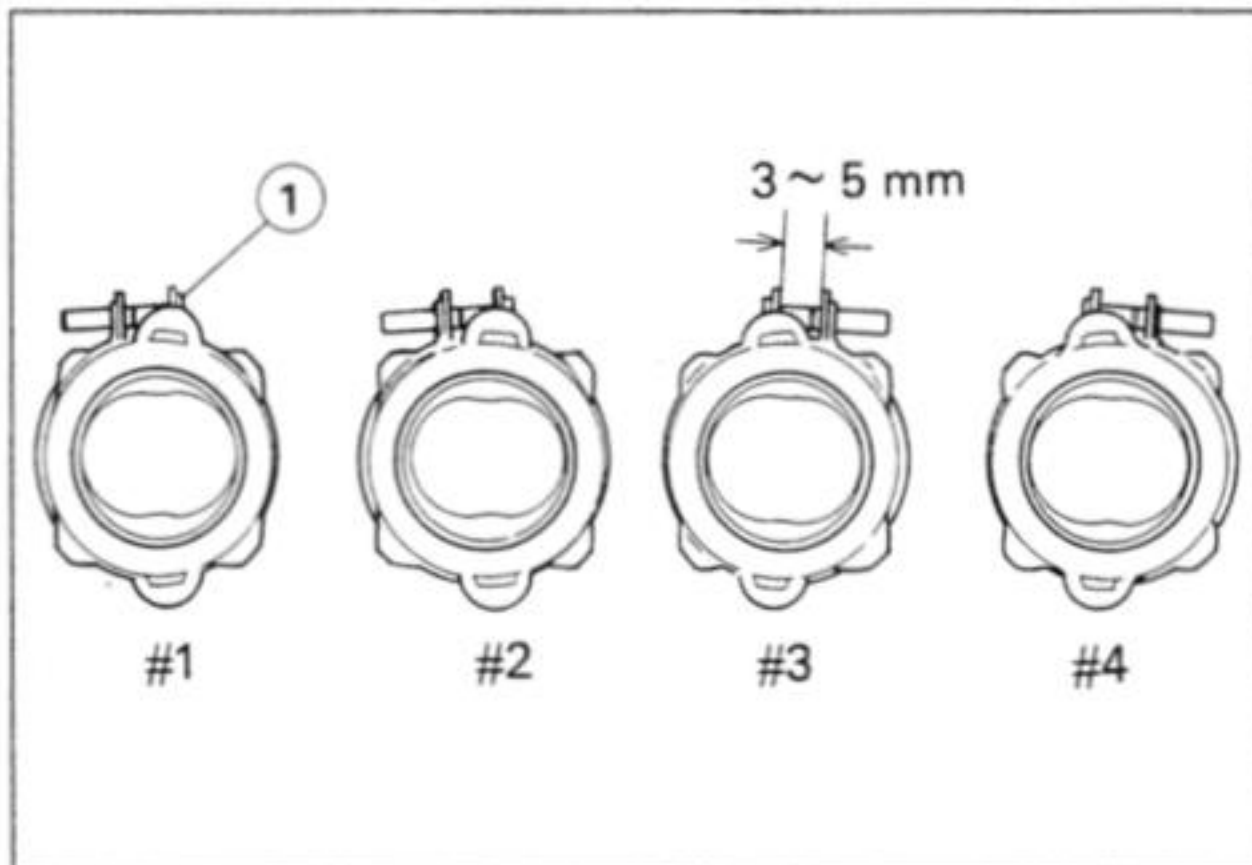
A. Coolant Filter

- Blow off dirt and sediment on the filter with compressed air.

## Carburetors

### Carburetor Installation

- Install the holder clamps as shown being careful of the screw position and the screw head direction.



#### 1. Screw Heads

- Turn the throttle grip and make sure that the throttle linkages do not contact the holder screws or hoses.

### ⚠ WARNING

Be sure to install the holder clamp screws in the direction shown. Or, the screws could come in contact with the throttle linkage resulting in an unsafe riding condition.

### Coolant Filter Cleaning

(U.K. and L4 ~ L5 Models)

Before winter season starts, clean the coolant filter of carburetor system.

- Remove the lower fairings.
- Drain the coolant.
- Remove the coolant filter from the cooling hoses of carburetor system.