

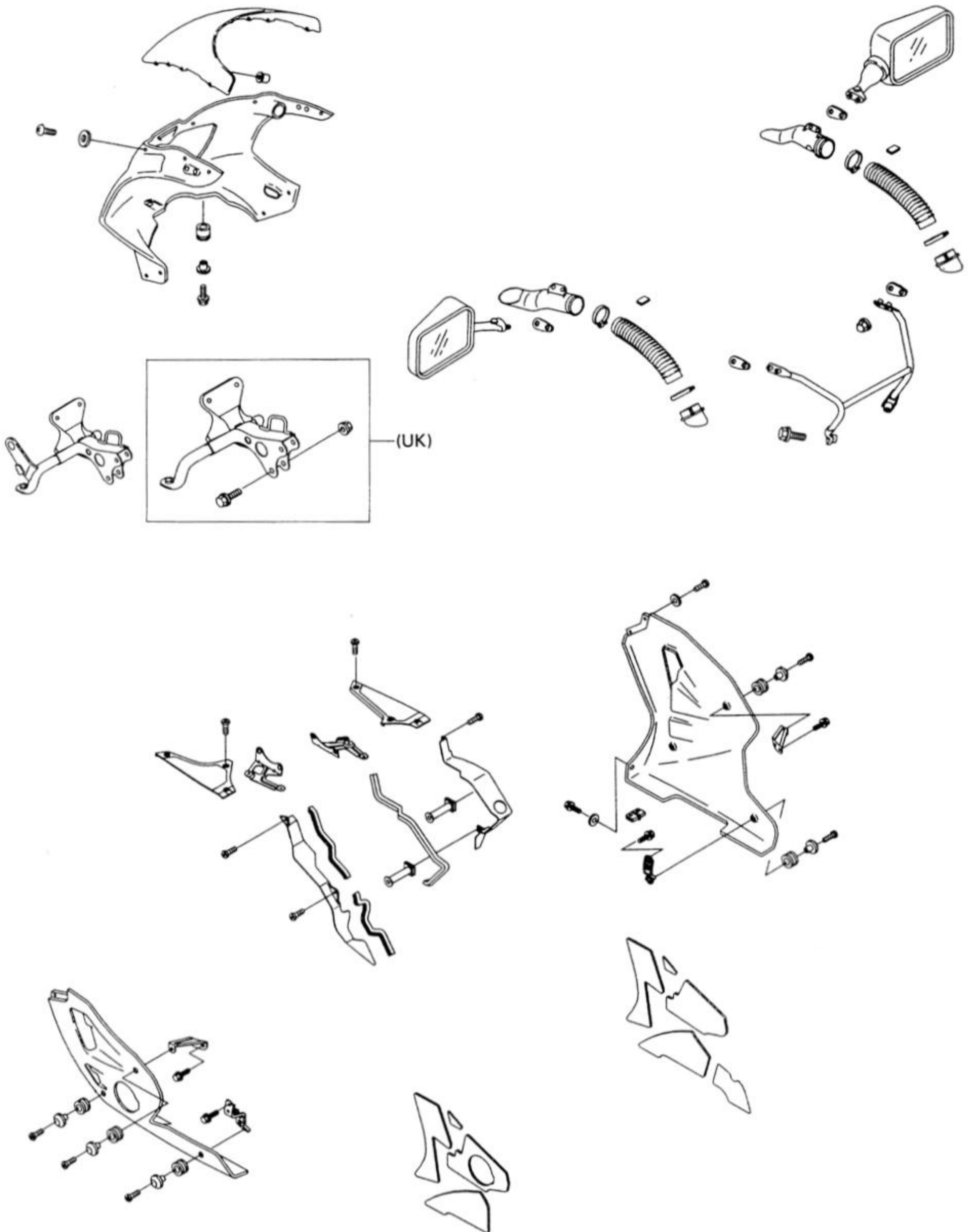
Frame

Table of Contents

Exploded View14-2

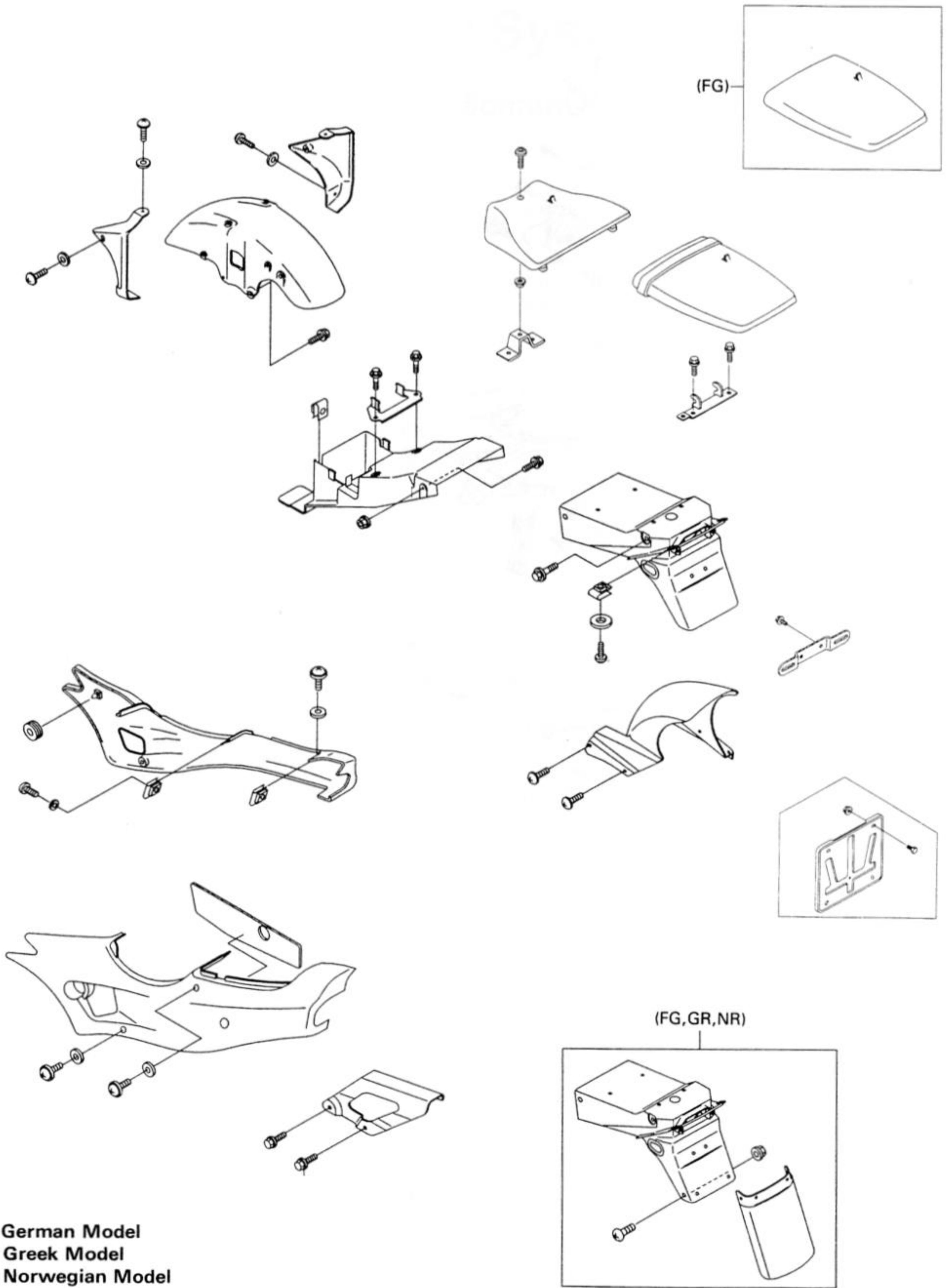
14-2 FRAME

Exploded View



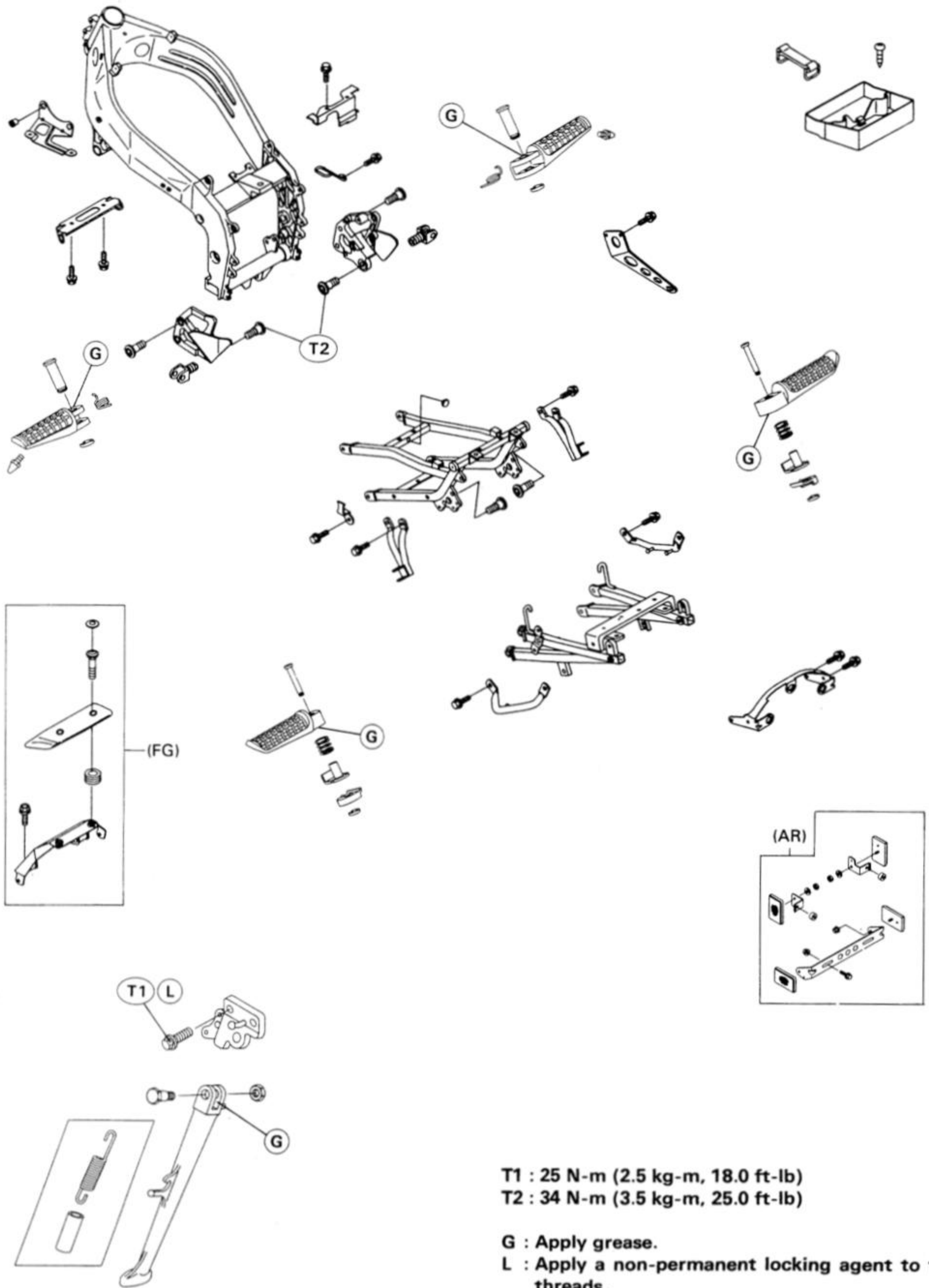
UK : U.K. Model

FRAME 14-3



FG : German Model
GR : Greek Model
NR : Norwegian Model

14-4 FRAME



T1 : 25 N-m (2.5 kg-m, 18.0 ft-lb)
T2 : 34 N-m (3.5 kg-m, 25.0 ft-lb)

G : Apply grease.
L : Apply a non-permanent locking agent to the threads.

FG : German Model
AR : Austrian Model