

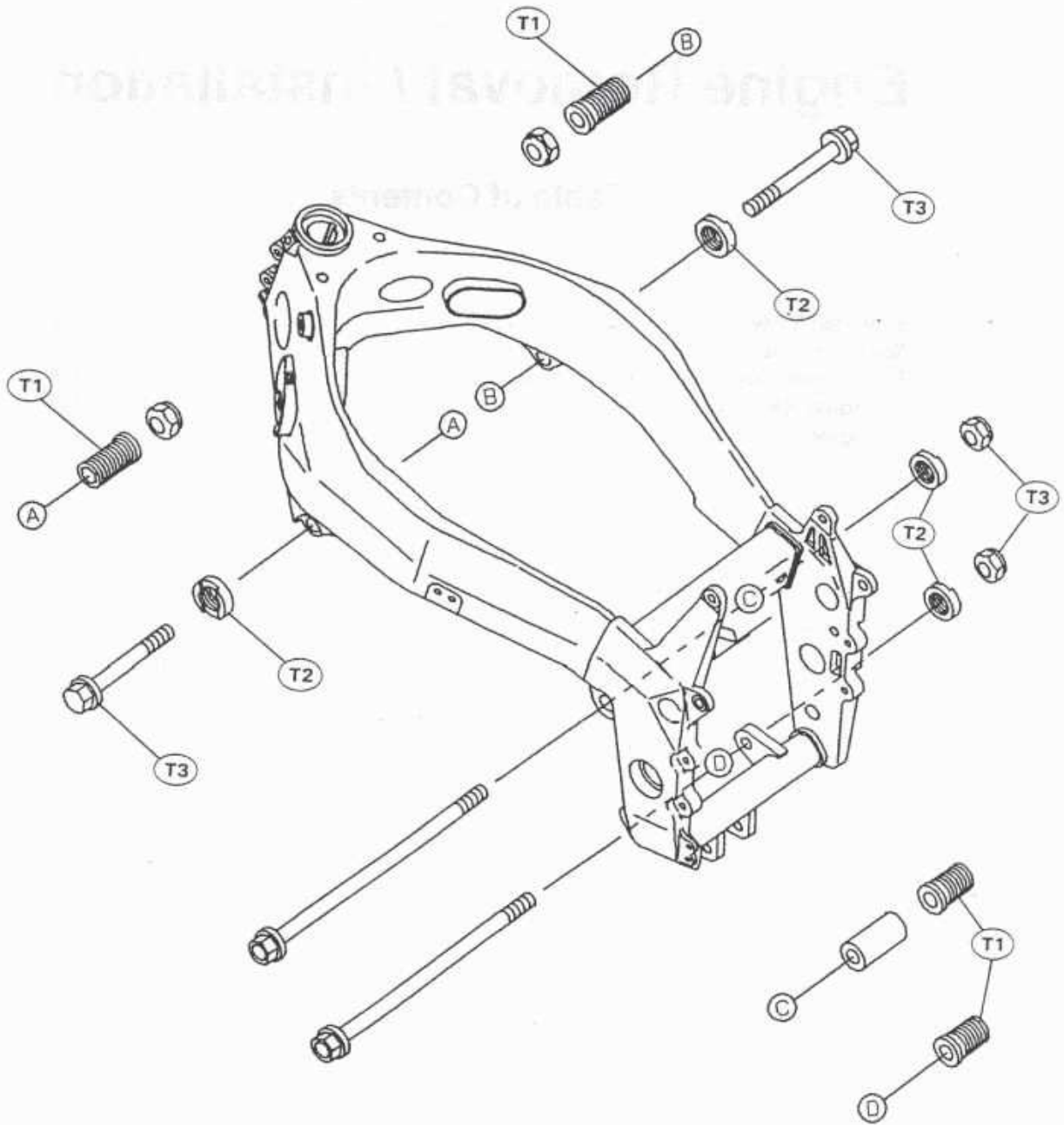
# Engine Removal / Installation

## Table of Contents

Exploded View .....	7-2
Specifications .....	7-3
Engine Removal/Installation .....	7-4
Engine Removal .....	7-4
Engine Installation .....	7-5

## 7-2 ENGINE REMOVAL / INSTALLATION

### Exploded View



T1: 9.8 N-m (1.0 kg-m, 87 in-lb)  
T2: 49 N-m (5.0 kg-m, 36 ft-lb)  
T3: 59 N-m (6.0 kg-m, 43 ft-lb)

Specifications

Special Tool – Jack: 57001-1238  
Socket Wrench: 57001-1347



*[Faint, illegible text, likely bleed-through from the reverse side of the page.]*

*[Faint, illegible text, likely bleed-through from the reverse side of the page.]*

*[Faint, illegible text, likely bleed-through from the reverse side of the page.]*

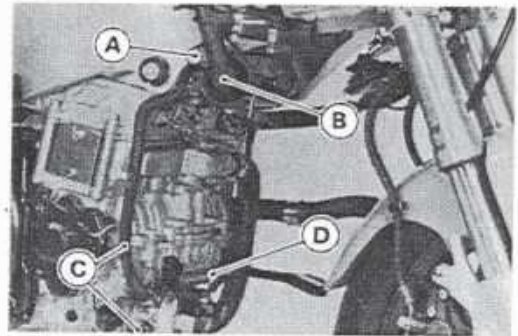
## 7-4 ENGINE REMOVAL / INSTALLATION

### Engine Removal/Installation

#### Engine Removal

● Remove:

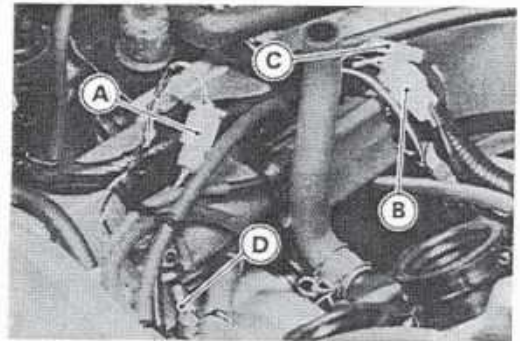
- Upper and Lower Fairings (see Frame chapter)
- Engine Oil (Drain, see Engine Lubrication System chapter)
- Coolant (Drain, see Cooling System chapter)
- Clutch Slave Cylinder (see Clutch chapter)
- Shift Pedal
- Engine Sprocket (see Final Drive chapter)
- Fuel Tank (see Fuel System chapter)
- Air Cleaner Housing (see Fuel System chapter)
- Carburetors (see Fuel System chapter)
- Baffle Plate on the Cylinder Head Cover
- Radiator (see Cooling System chapter)
- Muffler (see Engine Top End chapter)
- Bolt [A] and Thermostat Housing [B]
- Oil Cooler Hoses [C]
- Radiator Bracket [D]



● Disconnect wiring from the engine and free them from the clamps.

- Pickup Coil and Oil Pressure Switch Lead Connector [A]
- Alternator Lead Connector [B]
- Neutral Switch Lead Connector [C]
- Battery Ground Lead [D]

● Remove the ignition coils (see Electrical System chapter).

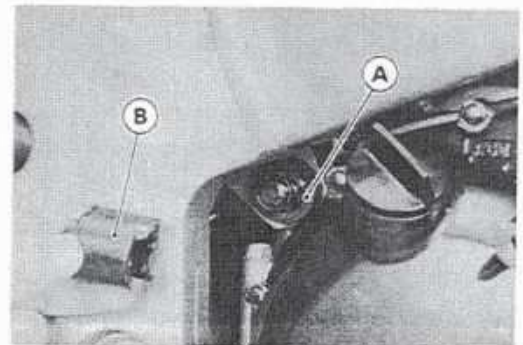


● Support the frame on the jack.

**Special Tool – Jack: 57001-1238**

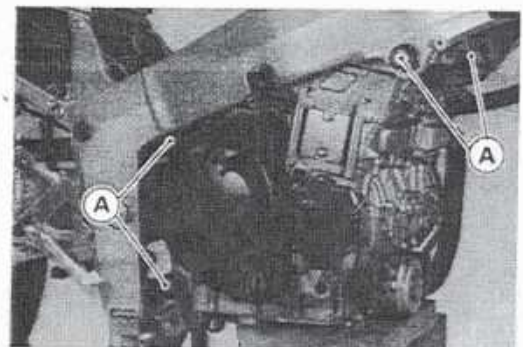
- Squeeze the brake lever slowly and hold it with a band.
- Support the engine with a suitable stand.
- Loosen the engine mounting locknuts [A], using the socket wrench [B].

**Special Tool – Socket Wrench: 57001-1347**



● Remove the bolts [A] and nuts.

- Screw back all the engine collar bolts for clearance around the engine.



## NOTE

○ The drive chain will be removed from the output shaft when removing the engine.

- Remove the engine.

*Engine Installation*

- Before engine installation, install the collar bolts [A, B] and then screw back them fully.
- Support the engine with a suitable stand, and set it at the correct position.
- Hang the drive chain over the output shaft just before moving the engine into its final position in the frame.
- Insert the rear mounting bolts [C] from the left side of the engine.
- Insert the front mounting bolts [D].
- Tighten the rear collar bolts [A].

**Torque – Engine Collar Bolts: 9.8 N-m (1.0 kg-m, 87 in-lb)**

- Pull out the front mounting bolts [D].
- Adjust a suitable stand until the bolts were pulled out easily.
- Tighten the front collar bolts [B].

**Torque – Engine Collar Bolts: 9.8 N-m (1.0 kg-m, 87 in-lb)**

- ★ If the engine contacts the frame, adjust the front collar bolts [B].
- Tighten the mounting bolts [C, D].

**Torque – Engine Mounting Bolts and Nuts: 59 N-m (6.0 kg-m, 43 ft-lb)**

- Tighten the engine mounting locknuts [E], using the socket wrench.

**Special Tool – Socket Wrench: 57001-1347**

**Torque – Engine Mounting Locknut: 49 N-m (5.0 kg-m, 36 ft-lb)**

- Install the removed parts (see appropriate chapters).
- Adjust:
  - Throttle Cables (see Fuel System chapter)
  - Choke Cable (see Fuel System chapter)
  - Drive Chain (see Final Drive chapter)

